

Refer to *Important Safety Precautions* on page 23.

Both the front and rear brakes are the hydraulic disc type. As the brake pads wear, the brake fluid level will drop. A leak in the system will also cause the level to drop.

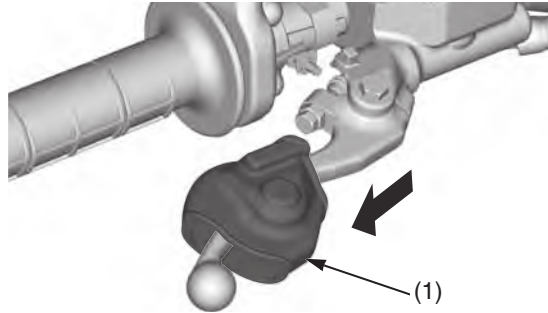
Frequently inspect the system to ensure there are no fluid leaks. Periodically inspect the brake fluid level and the brake pads for wear.

If the braking response of the front brake lever or rear brake pedal feels unusual, check the brake pads. If the brake pads are not worn beyond the recommended limit (page 108), there is probably air in the brake system.

Refer to an official Honda Service Manual or see your dealer to have the air bled from the system.

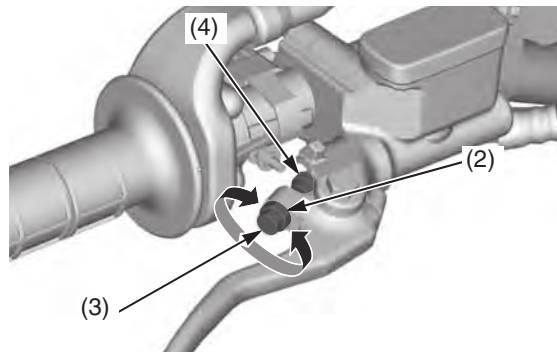
## Front Brake Lever Adjustment

1. Slide the front brake lever cover (1).



(1) brake lever cover

2. Loosen the lock nut (2).
3. To position the front brake lever farther away from the handgrip, turn the adjuster (3) clockwise.  
To position the front brake lever closer to the handgrip, turn the adjuster counterclockwise.
4. While holding the adjuster, tighten the lock nut to the specified torque:  
4.4 lbf·ft (5.9 N·m, 0.6 kgf·m)
5. Apply silicone grease to the contacting areas of the adjuster and knocker arm (4).



(2) lock nut  
(3) adjuster

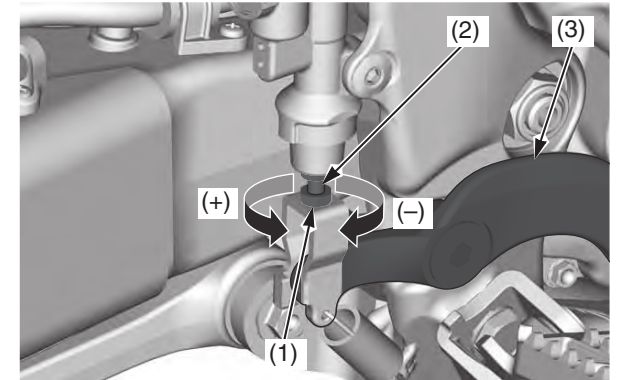
(4) knocker arm

6. Install the front brake lever cover reverse order.

## Rear Brake Pedal Height

The rear brake pedal height should be approximately level with the right footpeg.

1. Loosen the lock nut (1) and turn the push rod (2) in direction (+) to raise the rear brake pedal (3) or in direction (-) to lower it.
2. Tighten the push rod lock nut to the specified torque at the desired pedal height.  
4.4 lbf·ft (5.9 N·m, 0.6 kgf·m)



(1) lock nut  
(2) push rod  
(3) rear brake pedal

(+) raise the pedal height  
(-) lower the pedal height