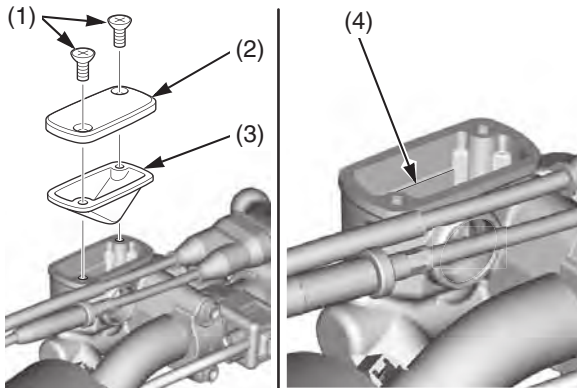


## Adding Front Brake Fluid

### NOTICE

Spilled brake fluid will severely damage painted surfaces. It is also harmful to some rubber parts. Be careful whenever you remove the reservoir cap; make sure the reservoir is horizontal first.

- Always use fresh DOT 4 brake fluid from a sealed container when servicing the system. Do not mix different types of fluid, they may not be compatible.
  - The recommended brake fluid is Honda DOT 4 Brake Fluid or an equivalent.
1. Remove the front brake reservoir cap screws (1), reservoir cap (2) and diaphragm (3).
  2. Fill the reservoir with DOT 4 brake fluid to the upper level mark (4). Do not overfill.
  3. Install the diaphragm and reservoir cap.
  4. Tighten the front brake reservoir cap screws to the specified torque:  
0.7 lbf·ft (1.0 N·m, 0.1 kgf·m)



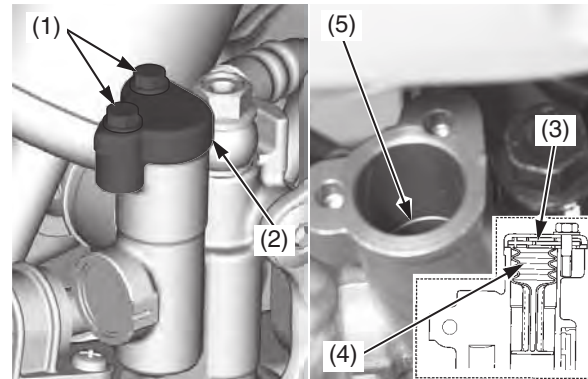
- (1) front brake reservoir cap screws
- (2) reservoir cap
- (3) diaphragm
- (4) upper level mark

## Adding Rear Brake Fluid

### NOTICE

Spilled brake fluid will severely damage painted surfaces. It is also harmful to some rubber parts. Be careful whenever you remove the reservoir cap; make sure the reservoir is horizontal first.

- Always use fresh DOT 4 brake fluid from a sealed container when servicing the system. Do not mix different types of fluid, they may not be compatible.
  - The recommended brake fluid is Honda DOT 4 Brake Fluid or an equivalent.
1. Remove the rear brake reservoir cap bolts (1), reservoir cap (2), set plate (3) and diaphragm (4).
  2. Fill the reservoir with DOT 4 brake fluid to the upper level mark (5). Do not overfill.



- (1) rear brake reservoir cap bolts
- (2) reservoir cap
- (3) set plate
- (4) diaphragm
- (5) upper level mark

3. Install the diaphragm, set plate and reservoir cap.
4. Tighten the rear brake reservoir cap bolts to the specified torque:  
0.7 lbf·ft (1.0 N·m, 0.1 kgf·m)