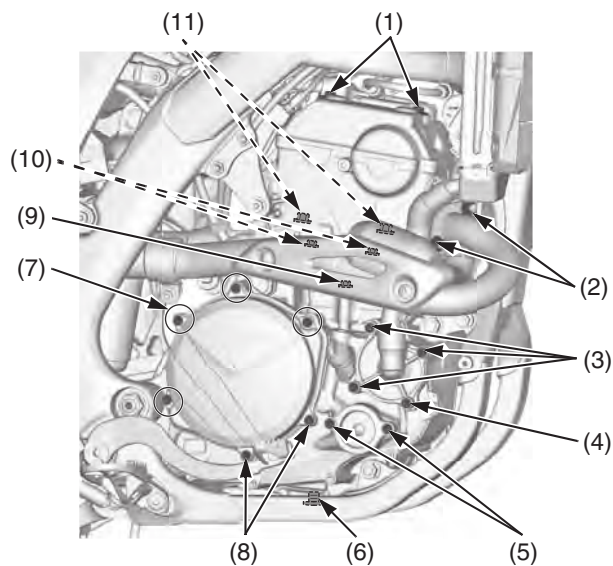


Torque Specifications

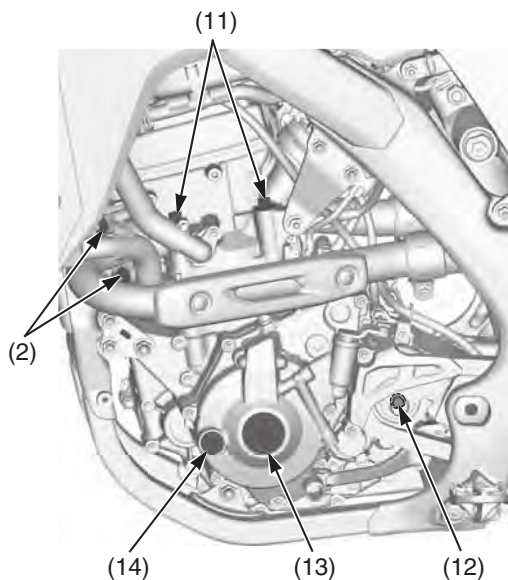
Nuts, Bolts, Fasteners

Check and tighten nuts, bolts, and fasteners before every outing.

RIGHT SIDE



LEFT SIDE



ENGINE

Item		Torque			Remarks
		lbf-ft	N-m	kgf-m	
1	Cylinder head cover socket bolts	7	10	1.0	
2	Exhaust pipe joint nuts	15	21	2.1	
3	Water pump cover bolts	7	10	1.0	
4	Coolant drain bolt	7	10	1.0	
5	Oil filter cover bolts	7	10	1.0	
6	Engine oil drain bolt	12	16	1.6	NOTE 1
7	Clutch cover A bolts	7	10	1.0	
8	Clutch cover B bolts	7	10	1.0	
9	Cylinder bolt	7	10	1.0	
10	Cylinder head A bolts	7	10	1.0	
11	Cylinder head B bolts	35	48	4.9	NOTE 1
12	Drive sprocket bolt	23	31	3.2	
13	Crankshaft hole cap	11	15	1.5	NOTE 2
14	Timing hole cap	4.4	6	0.6	NOTE 2

NOTES: 1. Apply engine oil to the threads.
2. Apply grease to the threads.