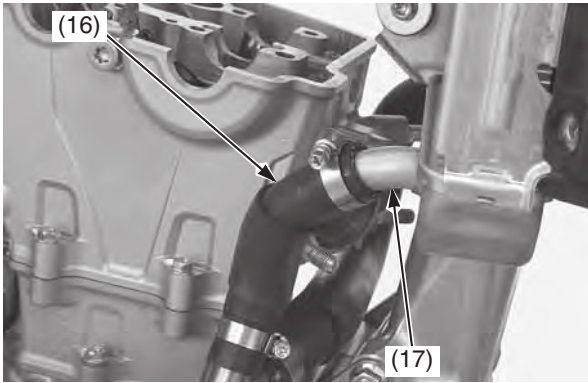
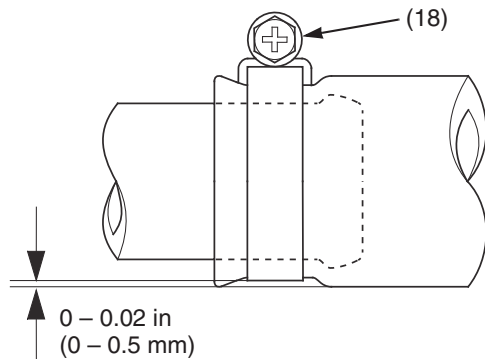


9. Connect the right radiator hose (16) to the right radiator hose joint (17) as shown.



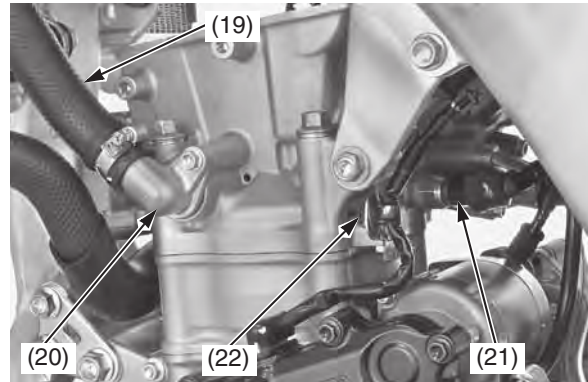
(16) right radiator hose  
(17) right radiator hose joint

10. Tighten the radiator hose clamp screw (18) as illustrated below.



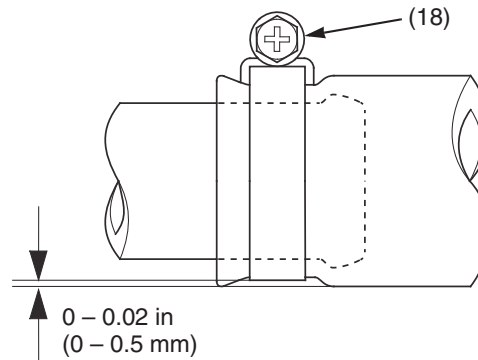
(18) radiator hose clamp screw

11. Connect the left radiator hose (19) to the left water hose joint (20) of the cylinder head as shown.  
12. Connect the ECT sensor connector (21).  
13. Install the harness band clip (22).



(19) left radiator hose  
(20) left water hose joint  
(21) ECT sensor connector  
(22) harness band clip

14. Tighten the radiator hose clamp screw (18) as illustrated below.



(18) radiator hose clamp screw

15. Install the valve shims, intake cam sprocket, camshafts, camshaft holder and cam chain guide (page 87).  
16. Install the crankshaft hole cap and timing hole cap (page 91).  
17. Install the cylinder head cover (page 91).  
18. Install the spark plug (page 81).  
19. Install the left and right exhaust pipes (page 134).  
20. Install the subframe (page 41) and left and right mufflers (page 132).  
21. Install the fuel tank and seat (pages 33, 35, 38).  
22. Fill and bleed the cooling system (page 165).  
Check for the following:
- compression leaks
  - abnormal engine noise
  - secondary air leaks
  - exhaust gas leaks
  - coolant leaks
  - oil leaks