

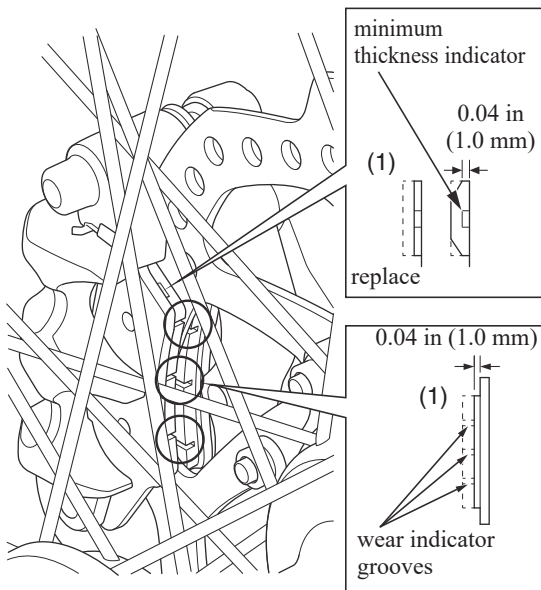
Brakes

Brake Pad Wear

Brake pad wear depends on the severity of usage and track conditions. (Generally, the pads will wear faster with wet and dirty track conditions.) Inspect the brake pads at each regular maintenance interval (page 25).

Front Brake Pads

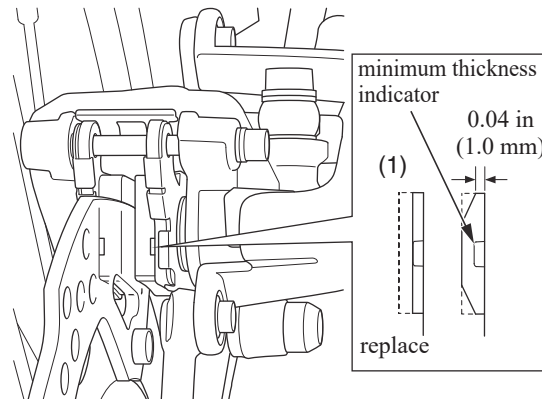
Inspect the brake pads (1) through the front wheel to determine the brake pad wear. If either brake pad is worn anywhere to a thickness of 0.04 in (1.0 mm), both brake pads must be replaced.



(1) brake pads

Rear Brake Pads

Inspect the brake pads (1) from the rear side of the caliper to determine the brake pad wear. If either brake pad is worn anywhere to a thickness of 0.04 in (1.0 mm), both brake pads must be replaced.



(1) brake pads

Other Inspections

Check that the front brake lever and rear brake pedal assemblies are positioned properly (page 119) and the securing bolts are tight.

Make sure there are no fluid leaks. Check for deterioration or cracks in the hoses and fittings.