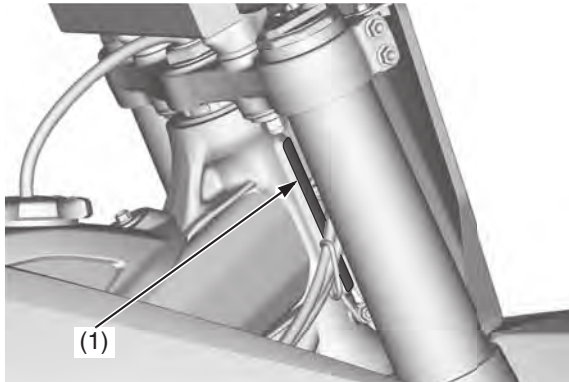


Vehicle Identification

Serial Numbers

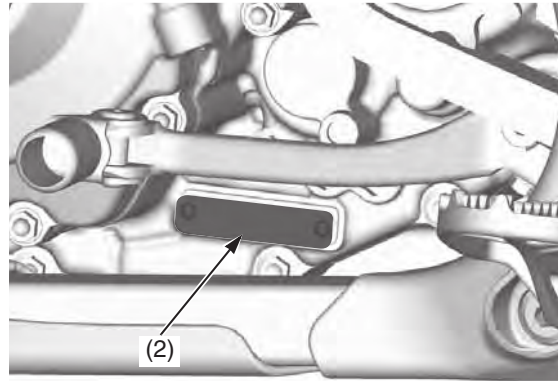
The VIN and engine serial number are required when you register your CRF. They may also be required when ordering replacement parts. You may record these numbers in the Quick Reference section at the rear of this manual.

The VIN (vehicle identification number) (1) is stamped on the right side of the steering head.



(1) VIN

The engine number (2) is stamped on the left crankcase.



(2) engine number