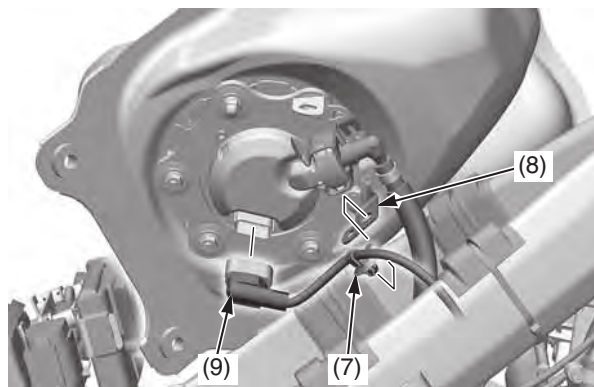
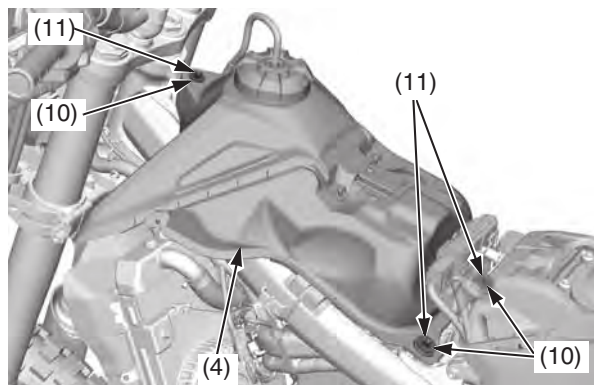


7. Install the harness band clip (7) to the stopper cable guide (8).
Connect the fuel pump connector (9).



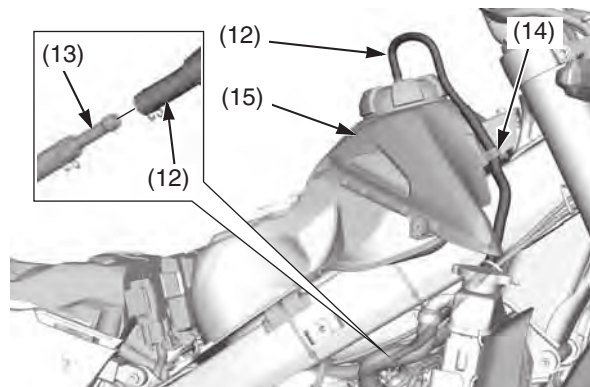
(7) harness band clip
(8) stopper cable guide
(9) fuel pump connector

8. Install the fuel tank (4) into the frame. Install the washers (10) and fuel tank bolts (11), then tighten the bolts to the specified torque:
7 lbf-ft (10 N·m, 1.0 kgf·m)



(4) fuel tank
(10) washers
(11) fuel tank bolts

9. Connect the breather tube (12) to the tube joint (13). Install the breather tube to the tube guide (14) onto the top shelter (15).



(12) breather tube
(13) tube joint
(14) tube guide
(15) top shelter

10. Slide the shroud (16) toward the down so that the shroud tab (17) and the slot (18) on the side cover (19) is aligned.

11. Install the shroud C bolt (20), B bolt (21) and shroud A bolt (22).

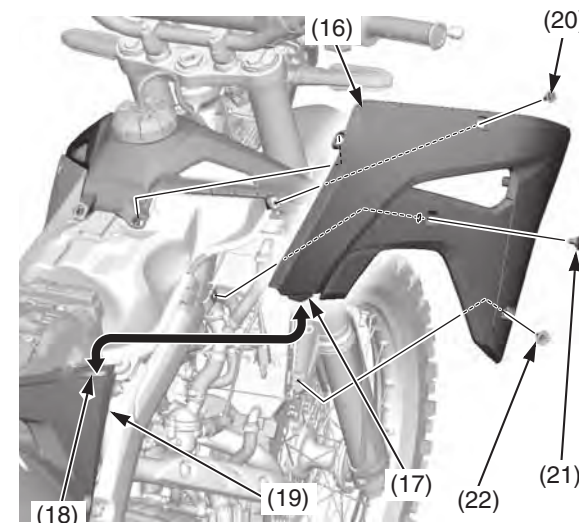
Tighten the shroud A and B bolts to the specified torque:

7 lbf-ft (10 N·m, 1.0 kgf·m)

Tighten the shroud C bolt to the specified torque:

3.8 lbf-ft (5.2 N·m, 0.5 kgf·m)

The right and left shrouds can be installed in the same manner.



(16) shroud
(17) tab
(18) slot
(19) side cover
(20) shroud C bolt
(21) shroud B bolt
(22) shroud A bolt

12. Install the seat (page 46).