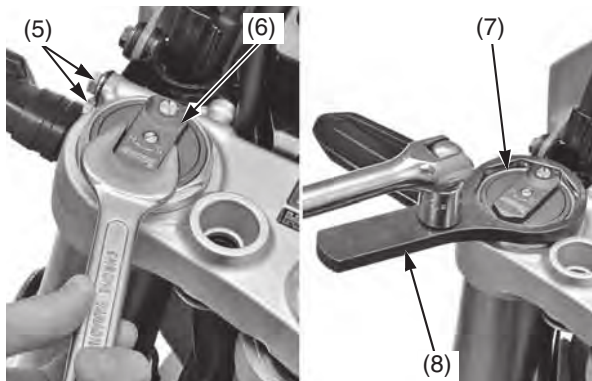


- Loosen the fork damper assembly (7) using the lock nut wrench (8), but do not remove them.
 - Lock nut wrench 07WMA-KZ30100

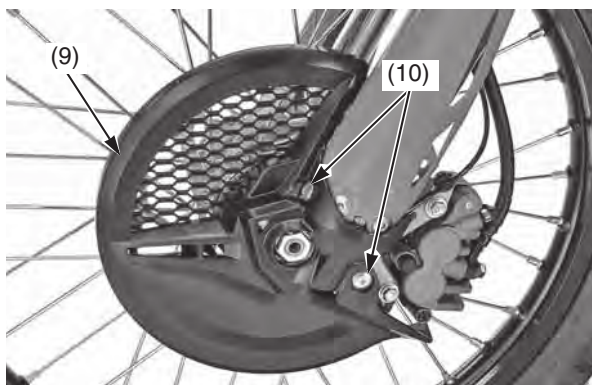
NOTICE

Do not use an adjustable wrench to loosen the fork damper: it may damage them.



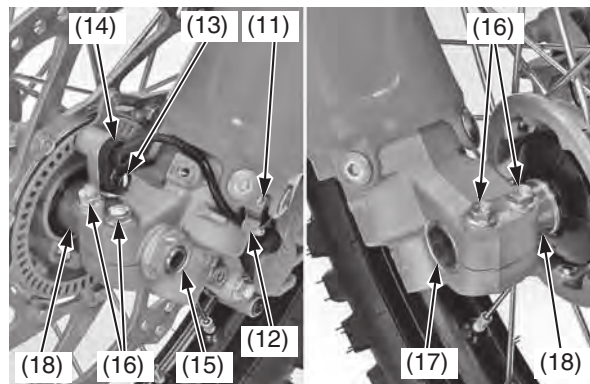
- (5) fork bridge upper pinch bolts
- (6) fork bolt assembly
- (7) fork damper assembly
- (8) lock nut wrench

- Remove the disc cover (9) by removing disc cover socket bolts (10).



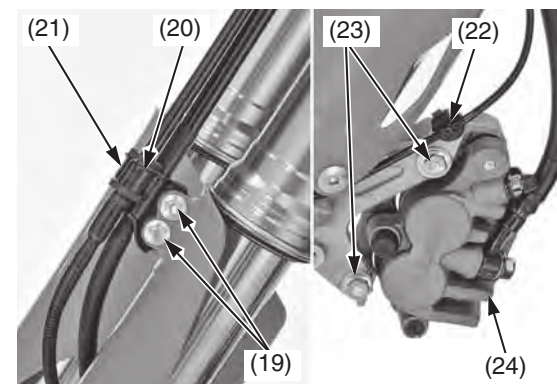
- (9) disc cover
- (10) disc cover socket bolts

- Remove the speed sensor wire guide plate screw (11) and guide plate (12). Remove the speed sensor mounting bolt (13) and speed sensor (14).
- Remove the front axle nut (15) and loosen the axle pinch bolts (16) on both forks. Pull the front axle shaft (17) out of the wheel hub and remove the front wheel with collars (18).



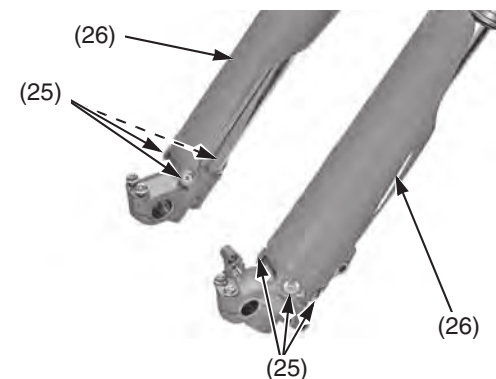
- (11) screw
- (12) guide plate
- (13) bolt
- (14) speed sensor
- (15) front axle nut
- (16) axle pinch bolts
- (17) front axle shaft
- (18) collars

- Remove the brake hose/speed sensor wire clamp bolts (19), stay A (20) and stay B (21).
- Remove the speed sensor wire clip (22) from the caliper bracket. Remove the front brake caliper mounting bolts (23) and brake caliper (24).
 - Do not support the brake caliper by the brake hose.
 - Do not operate the brake lever after the front wheel is removed. To do so will cause difficulty in fitting the brake disc between the brake pads.



- (19) brake hose/speed sensor wire clamp bolts
- (20) stay A
- (21) stay B
- (22) wire clip
- (23) front brake caliper mounting bolts
- (24) brake caliper

- Remove the fork protector socket bolts (25) and fork protectors (26).



- (25) fork protector socket bolts
- (26) fork protectors

(cont'd)