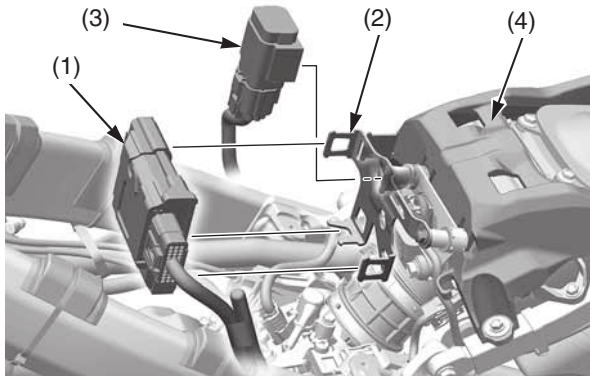


Subframe

Refer to *Important Safety Precautions* on page 33.

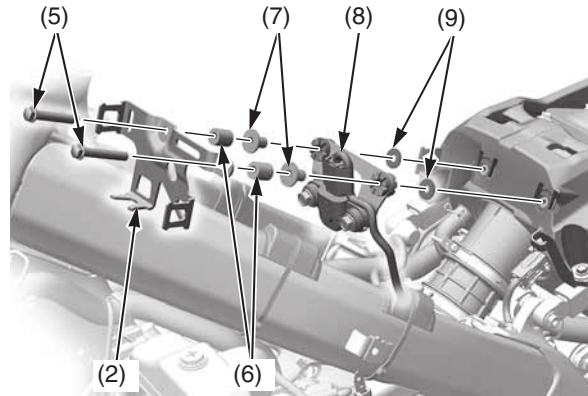
Removal

1. Remove the battery (page 138).
2. Remove the fuel tank (page 48).
3. Remove the muffler (page 133).
4. Remove the left side cover (page 47).
5. Remove the ECM (1) from the ECM stay (2).
6. Remove the starter relay (3) from the seat support base (4).



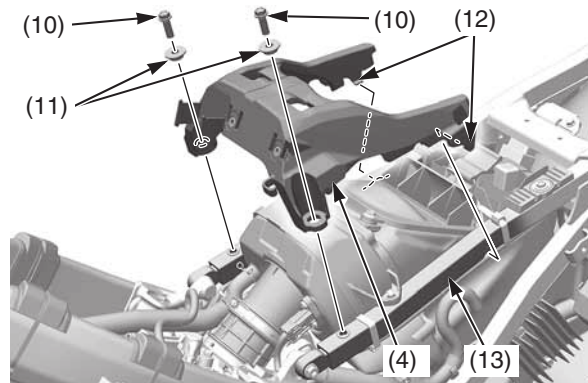
- (1) ECM
- (2) ECM stay
- (3) starter relay
- (4) seat support base

7. Remove the stay mounting bolts (5), ECM stay (2), collars A (6), collars B (7), bank angle sensor assembly (8) and washers (9).



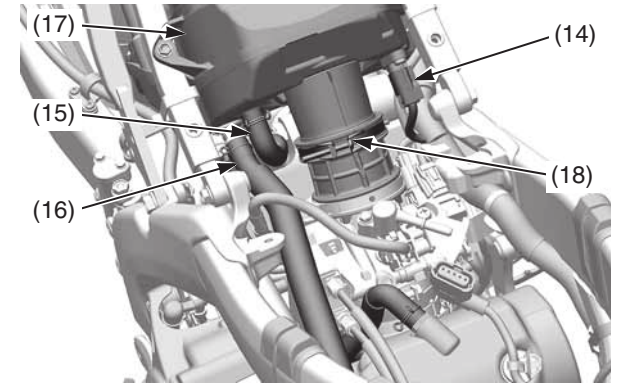
- (2) ECM stay
- (5) stay mounting bolts
- (6) collars A
- (7) collars B
- (8) bank angle sensor assembly
- (9) washers

8. Remove the seat support base mounting bolts (10) and collars (11). Release the hooks (12) from the seat rail, then remove the seat support base (4) from the subframe (13).



- (4) seat support base
- (10) bolts
- (11) collars
- (12) hooks
- (13) subframe

9. Disconnect the IAT sensor connector (14). Disconnect the crankcase breather tube (15) and air injection air tube (16) from the air cleaner housing (17). Loosen the connecting tube band screw (18).



- (14) IAT sensor connector
- (15) crankcase breather tube
- (16) air injection air tube
- (17) air cleaner housing
- (18) connecting tube band screw