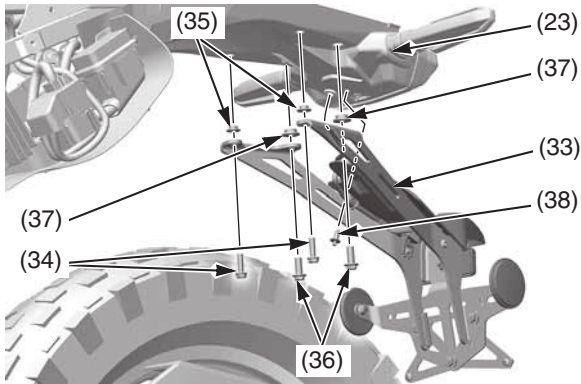


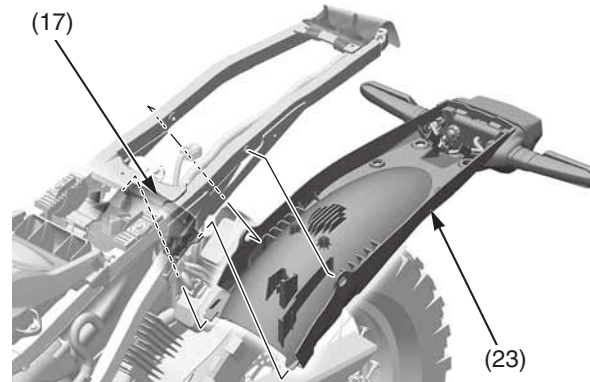
Subframe

14. While holding the license light stay assembly (33), remove the mounting A bolts (34), collars A (35), mounting B bolts (36), collars B (37) and clip (38). Remove the license light stay assembly from the rear fender B (23) while releasing the license light wire from the rear fender B.



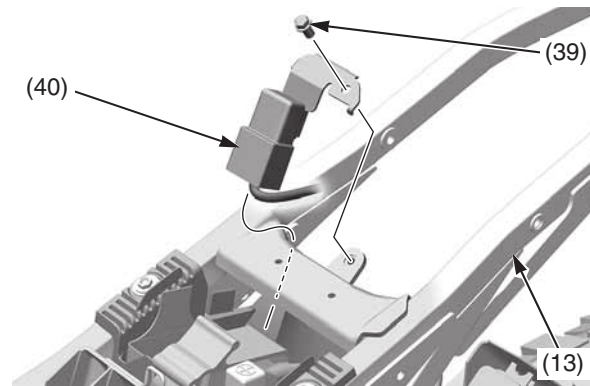
(23) rear fender B
 (33) license light stay assembly
 (34) mounting A bolts
 (35) collars A
 (36) mounting B bolts
 (37) collars B
 (38) clip

15. Remove the rear fender B (23) while releasing the front bosses from the air cleaner housing (17).



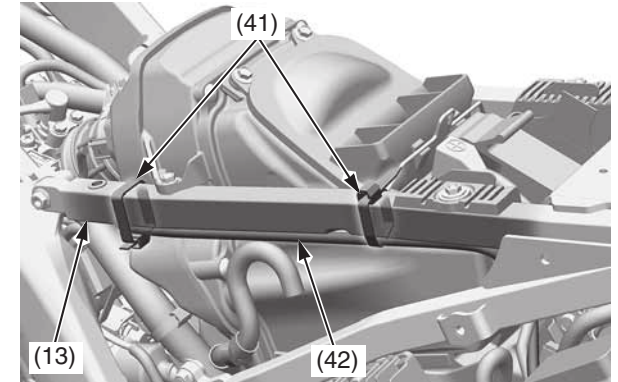
(17) air cleaner housing (23) rear fender B

16. Remove the bolt (39) and turn signal relay/bracket (40) from the subframe (13).



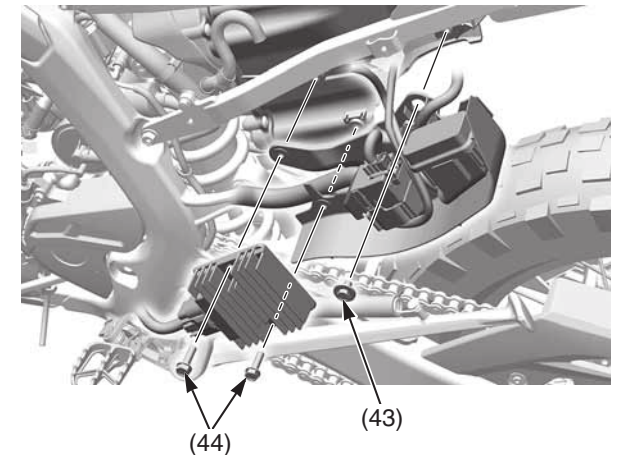
(13) subframe
 (39) bolt
 (40) turn signal relay/bracket

17. Remove the positive (+) battery cable bands (41), then release the positive (+) battery cable (42) from the subframe (13).



(13) sub frame
 (41) cable bands
 (42) positive (+) battery cable

18. Remove the fuse box assembly mounting bolt/washer (43). Remove the regulator/rectifier mounting bolts (44).



(43) fuse box assembly mounting bolt/washer
 (44) regulator/rectifier mounting bolts