

Engine Idle Speed

Refer to *Important Safety Precautions* on page 33.

Remember, idle speed adjustment is not a “cure-all” for other problems in your engine’s PGM-FI system. Adjusting the idle speed will not compensate for a fault elsewhere.

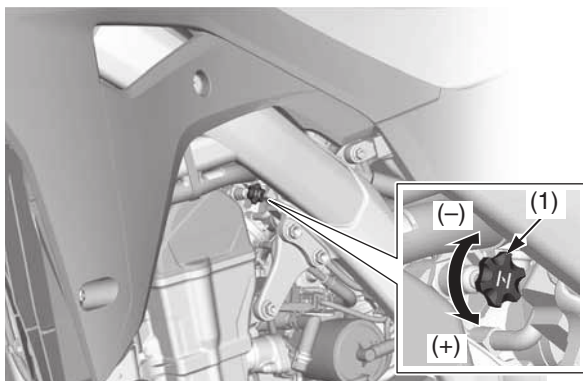
The engine must be at normal operating temperature for accurate idle speed adjustment. When pushed in, the fast idle knob acts as the idle adjustment screw.

Turning it counterclockwise results in a faster/higher idle speed.

Turning it clockwise results in a slower/lower idle speed.

Idle Speed Adjustment

1. If the engine is cold, start it and warm it up 3 minutes. Then shut it off.
2. Connect a tachometer to the engine.
3. Shift the transmission into neutral. Start the engine.
4. Adjust idle speed with the fast idle knob (1). Idle speed: $1,800 \pm 100$ rpm



(1) fast idle knob
(+) increase
(-) decrease