

Refer to *Important Safety Precautions* on page 33.

Exhaust Pipe/Muffler Inspection

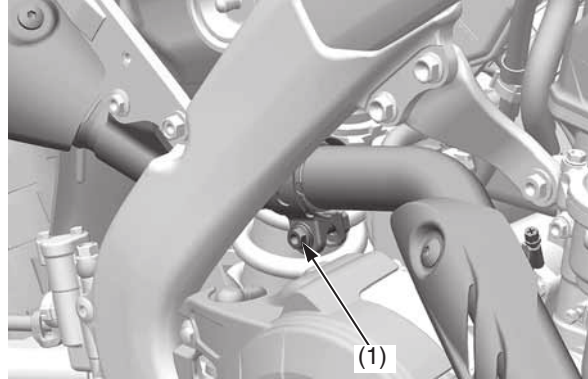
Check the mounting bolts and exhaust pipe joint nuts for tightness.

Check the exhaust pipe and muffler for cracks or deformation.

A damaged exhaust pipe and muffler may reduce engine performance.

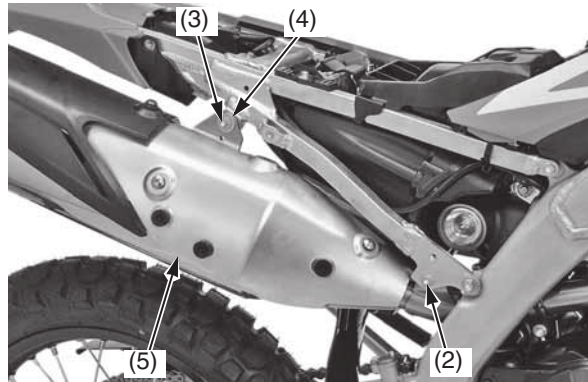
Muffler Removal

1. Remove the seat (page 46).
2. Remove the right side cover (page 47).
3. Loosen the muffler clamp bolt (1).



(1) muffler clamp bolt

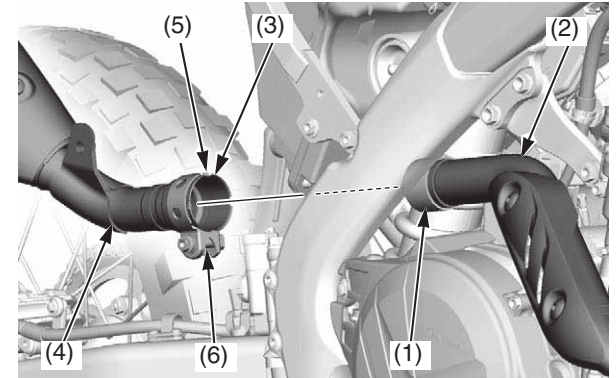
4. Remove the muffler mounting A bolt (2), B bolt (3), washer (4), and muffler (5).



(2) muffler mounting A bolt
(3) muffler mounting B bolt
(4) washer
(5) muffler

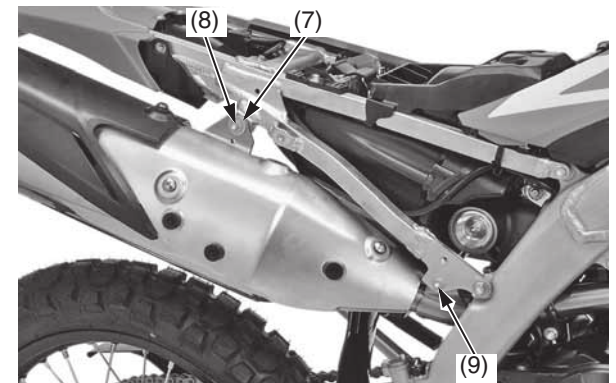
Muffler Installation

1. Remove the gasket (1).
2. Install a new gasket onto the exhaust pipe (2).
3. Align the cutout (3) of the muffler (4) with the tab (5) of the muffler clamp (6).
4. Install the muffler.



(1) gasket
(2) exhaust pipe
(3) cutout
(4) muffler
(5) tab
(6) muffler clamp

5. Install the washer (7), muffler mounting B bolt (8) and A bolt (9).



(7) washer
(8) muffler mounting B bolt
(9) muffler mounting A bolt

(cont'd)