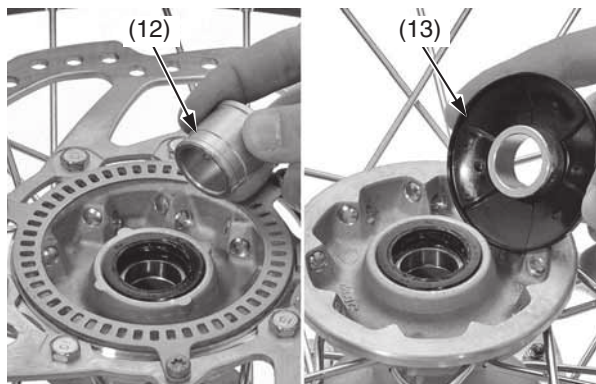


If You Have a Flat Tire

Installation

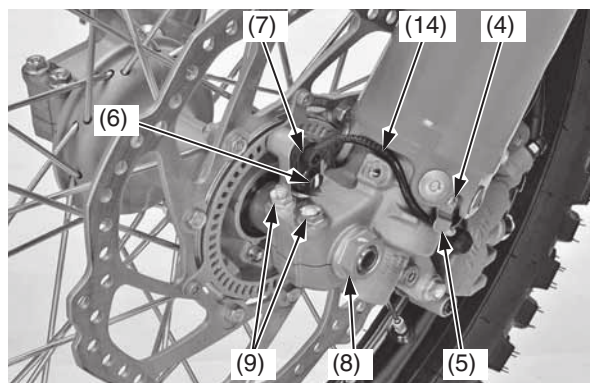
1. Clean the surfaces where the axle and axle clamps contact each other. Apply grease to each dust seal lips of the front wheel. Install the left side collar (12) and right side collar (13) into the wheel hub.



(12) left side collar

(13) right side collar

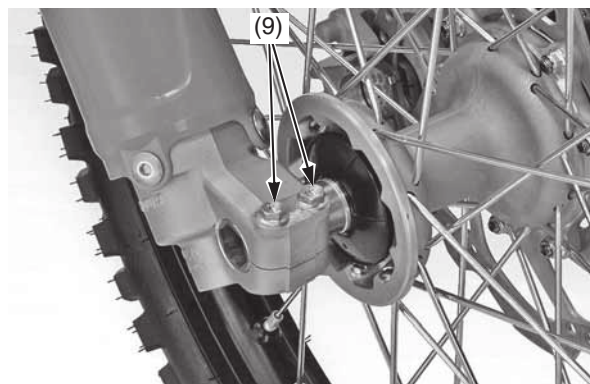
2. Install the front wheel between the fork legs while inserting the disc between the pads, being careful not to damage the pads.
3. Insert the front axle shaft through the forks and wheel hub from the right side. Make sure that the front axle shaft is seated firmly onto the left fork leg clamp inner surface. Tighten the front axle nut (8) to the specified torque: 65 lbf·ft (88 N·m, 9.0 kgf·m)
Tighten the left axle pinch bolts (9) to the specified torque: 15 lbf·ft (20 N·m, 2.0 kgf·m)
4. Route the speed sensor wire (14) properly and install the speed sensor (7) to the left fork bracket. Install and tighten the speed sensor mounting bolt (6).
Install the speed sensor wire guide plate (5) and tighten the guide plate screw (4).



(4) screw
(5) plate
(6) bolt
(7) speed sensor

(8) front axle nut
(9) axle pinch bolts
(14) speed sensor wire

5. While keeping the forks parallel, alternately tighten the right axle pinch bolts (9) to the specified torque: 15 lbf·ft (20 N·m, 2.0 kgf·m)



(9) axle pinch bolts

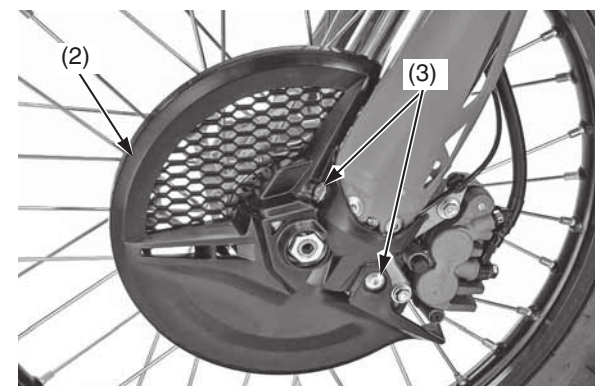
NOTICE

To avoid damage when torquing the axle pinch bolts, be sure the axle is seated firmly onto the left fork leg clamp inner surface.

6. Operate the front brake and pump the fork several times. Check for free wheel rotation after the brake is released. Recheck the wheel if the brake drags or the wheel does not rotate freely.
7. Install the disc cover (2) and tighten the disc cover socket bolts (3) to the specified torque: 10 lbf·ft (13 N·m, 1.3 kgf·m)

NOTICE

Do not ride with the disc cover removed. Doing so may damage the speed sensor wire.



(2) disc cover

(3) disc cover socket bolts

If a torque wrench is not used for installation, see your dealer as soon as possible to verify proper assembly. Improper assembly may lead to loss of braking capability.