

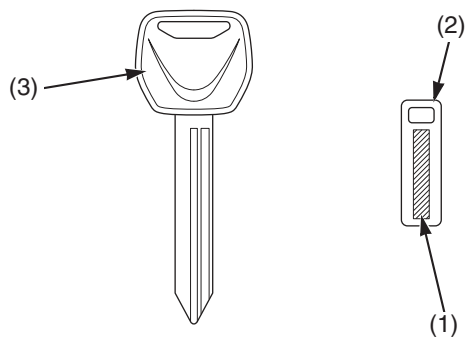
## If You Lose Your Key

---

Be sure to record your key number (1) provided with the key number plate (2). Store the spare key and recorded key number in a safe location. You'll need this number to have a duplicate key made.

A lost key won't be a problem if you take preventative action. Store one duplicate key in a safe place at home and carry a second duplicate in your wallet.

If you lose your key and aren't carrying a duplicate, either get your spare or have one made. If you don't know your key number, call the dealer where you purchased your motorcycle. They may have it listed in their records. If they don't, transport your motorcycle to them or the nearest dealer. The dealer will probably have to remove the ignition switch assembly to find the key number so they can make a key for you.



(1) key number  
(3) ignition key

(2) key number plate