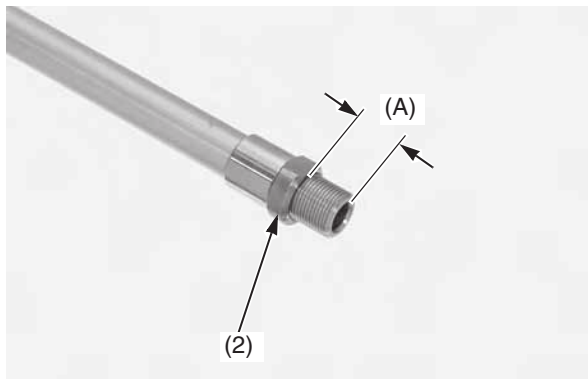
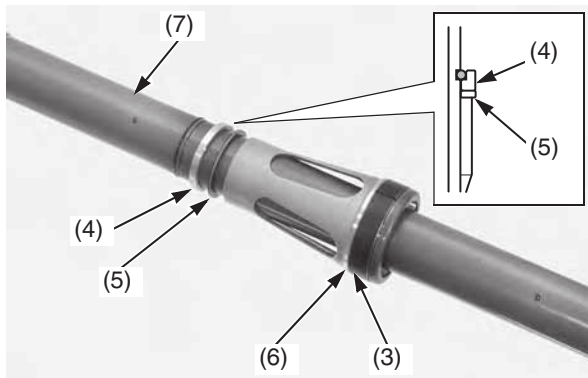


- Tighten the fork center bolt lock nut (2) fully and measure the thread length (A) as shown. Standard: 0.35 – 0.43 in (9 – 11 mm)
Wipe the oil completely off the fork damper.



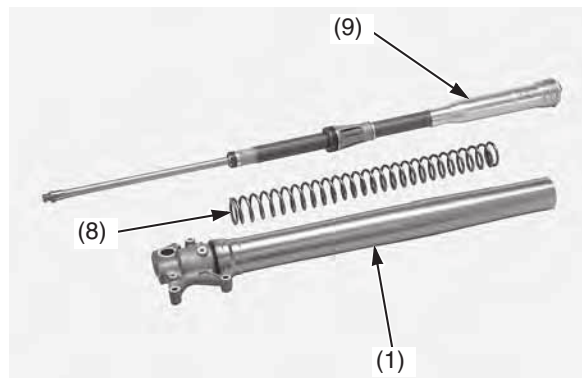
(2) fork center bolt lock nut (A) thread length

- Apply the recommended fork oil to the slider bushing (3).
Install the seat stopper (4), back-up ring (5) and spring seat collar (6) to the fork damper (7).
Make sure the black side of the back-up ring is seated on the seat stopper side.



(3) slider bushing (4) seat stopper
(5) back-up ring (6) spring seat collar
(7) fork damper

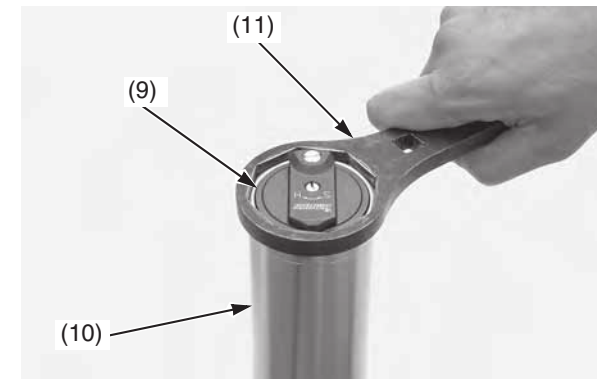
- Blow out the oil completely off the fork spring (8).
Put the fork spring on the fork damper assembly (9).
Install the spring/fork damper assembly into the fork assembly (1).



(1) fork assembly (8) fork spring
(9) fork damper assembly

- Temporarily tighten the fork damper assembly (9) to the outer tube (10) using the lock nut wrench (11).

- Lock nut wrench 07WMA-KZ30100



(9) fork damper assembly (11) lock nut wrench
(10) outer tube

- Place the lower end (axle holder) (12) of the slider in a vise with a piece of wood or soft jaws to avoid damage.

NOTICE

Over-tightening the vise can damage the axle holder.

(cont'd)