

Front Suspension Adjustments

4. Set the axle holder of the slider in a vise with a piece of wood or soft jaws to avoid to damage.

NOTICE

Over-tightening the vise can damage the axle holder.

5. Push out the fork damper piston rod from the axle holder of the slider by pushing the fork damper.

Apply pressure to the fork damper and insert the piston base (5) or mechanic's stopper tool between the axle holder and lock nut.

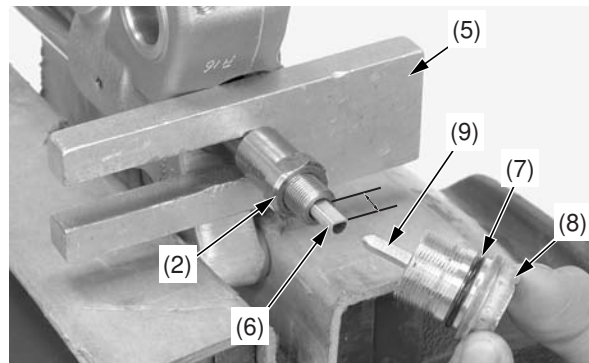
Measure the thread length again.

Standard: 11 – 13 mm (0.43 – 0.51 in)

6. Install the push rod (6) into the piston rod until it stops.

Check the push rod installation by turning the push rod right and left.

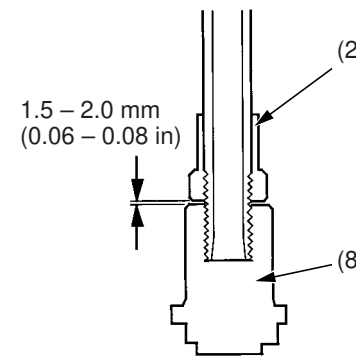
7. Install a new O-ring (7) to the fork centre bolt (8). Install the fork centre bolt to the fork damper piston rod aligning the centre bolt adjusting rod (9) with the push rod. Tighten the fork centre bolt fully by hand.



(2) lock nut
(5) piston base
(6) push rod
(7) O-ring
(8) fork centre bolt
(9) centre bolt adjusting rod

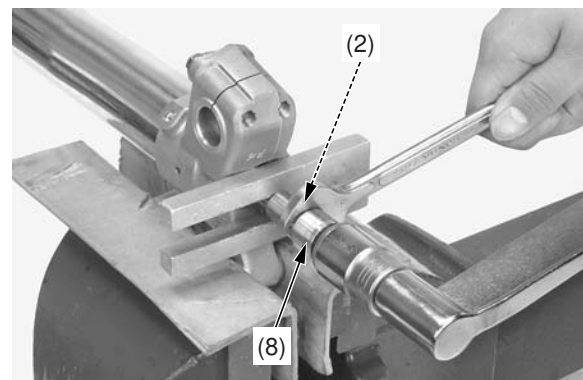
8. Measure the length of the lock nut (2) and fork centre bolt (8) clearance.
Standard: 1.5 – 2.0 mm (0.06 – 0.08 in)

If the clearance is out of specification, check the lock nut and centre bolt installation.



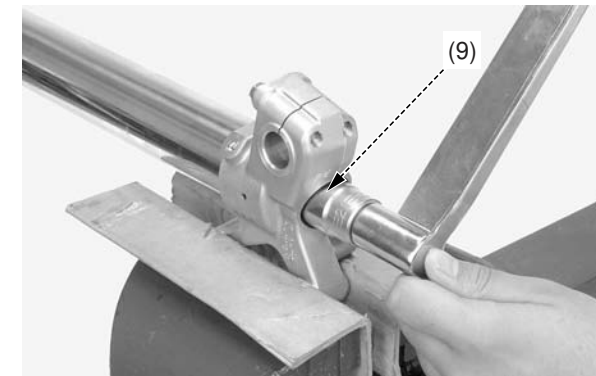
(2) lock nut
(8) fork centre bolt

9. Tighten the lock nut (2) to the fork centre bolt (8) closely by hand. Tighten the lock nut to the specified torque:
22 N·m (2.2 kgf·m, 16 lbf·ft)



(2) lock nut
(8) fork centre bolt

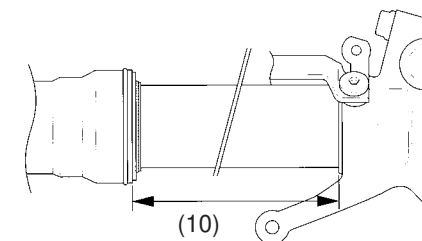
10. Apply fork oil to the fork centre bolt O-ring (9).
Remove the piston base or mechanic's stopper tool while pushing to the fork damper.
Install the fork centre bolt to the axle holder and tighten it to the specified torque:
69 N·m (7.0 kgf·m, 51 lbf·ft)



(9) fork centre bolt O-ring

11. Measure the length (10) between the axle holder and outer tube.
12. Compare the length at assembly and at disassembly. They should be the same length.

If the length at assembly is longer than at disassembly, check the fork centre bolt and lock nut installation.
Standard: 317 ± 2 mm (12.5 ± 0.08 in)



(10) length

(cont'd)