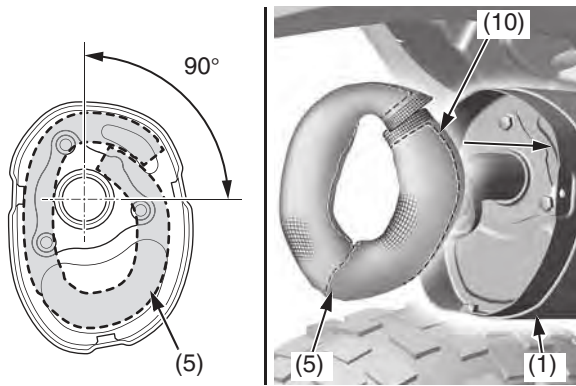


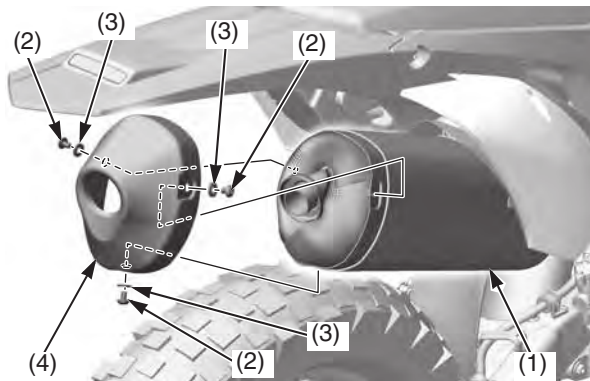
Spark Arrester

7. Check the glass wool (5). Replace, if necessary.
Install the glass wool with its seam (10) side facing the muffler (1) and start winding the glass wool from the position as shown.



- (1) muffler
(5) glass wool
(10) seam

8. Install the tail cap cover (4), washers (3) and tighten the tail cap cover bolts (2) to the specified torque:
3.9 lbf·ft (5.25 N·m, 0.5 kgf·m)



- (1) muffler
(2) tail cap cover bolts
(3) washers
(4) tail cap cover