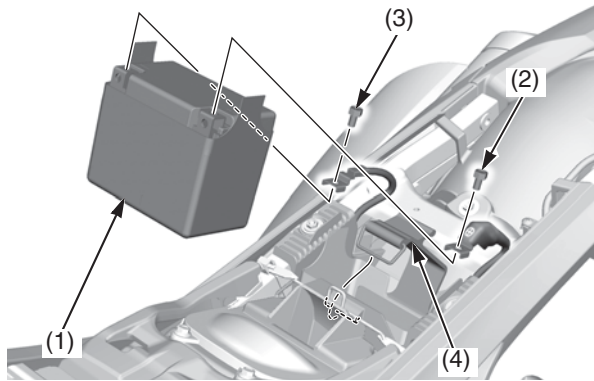


Battery

Installation

1. Reinstall the battery (1) in the reverse order of removal. Check that the battery rubber in place. Be sure to connect the positive (+) terminal first, then the negative (-) terminal.
2. Tighten the positive (+) terminal bolt (2) and negative (-) terminal bolt (3) to the specified torque:
1.5 lbf·ft (2.0 N·m, 0.2 kgf·m)
3. Install the battery band (4).



- (1) battery (3) negative (-) terminal bolt
(2) positive (+) terminal bolt (4) battery band

4. Install the seat (page 43).

Battery Charging

Be sure to read the information that came with your battery charger and follow the instructions on the battery. Improper charging may damage the battery.

We recommend using a charger recommended by your lithium-ion (li-ion) battery manufacturer which can be purchased from your dealer. These units can be left connected for long periods without risking damage to the battery. However, the lithium-ion (li-ion) battery may degrade if stored with a charger connected. Do not intentionally leave the charger connected longer than the time period recommended in the charger's instructions.

Using a battery charger that is not recommended can cause permanent damage to your battery.