

Refuelling

Fuel type: Unleaded petrol only

Fuel octane number: Your motorcycle is designed to use Research Octane Number (RON) 91 or higher.

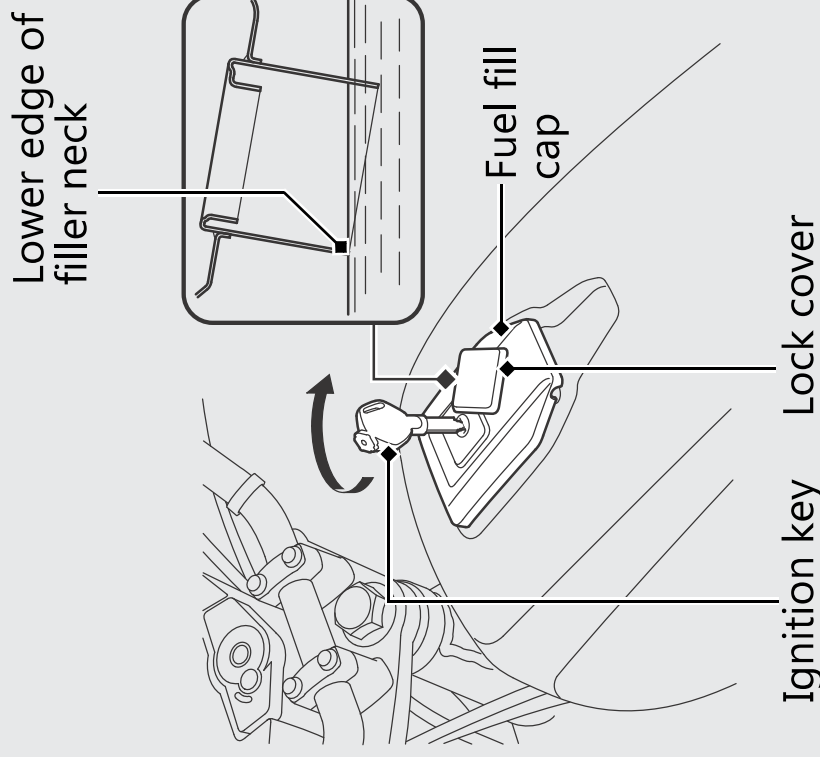
Tank capacity: 10.3 litres (2.72 US gal, 2.27 Imp gal)

Reserve capacity: 2.0 litres (0.53 US gal, 0.44 Imp gal)

Refuelling and Fuel Guidelines

Opening the Fuel Fill Cap

Open the lock cover, insert the ignition key, and turn it clockwise to open the cap.



Do not fill with fuel above the lower edge of the filler neck.