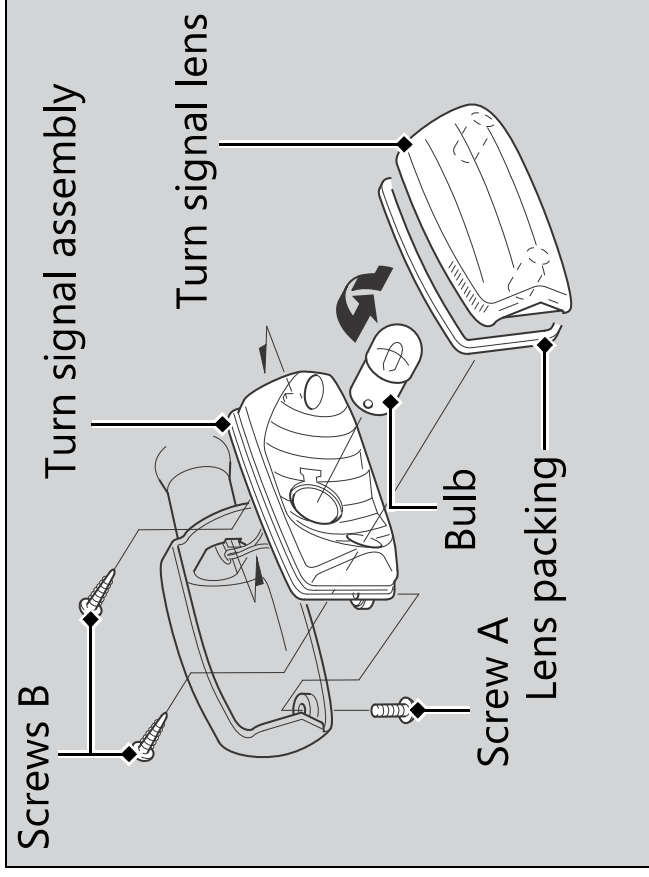


Front and Rear Turn Signal Bulb



1. Remove the turn signal assembly by removing the screw A.
 2. Remove the turn signal lens and lens packing by removing the screws B.
 3. Remove the bulb by slightly pressing the bulb and turn it counterclockwise.
 4. Install a new bulb and parts in the reverse order of removal.
- Use only the amber bulb.