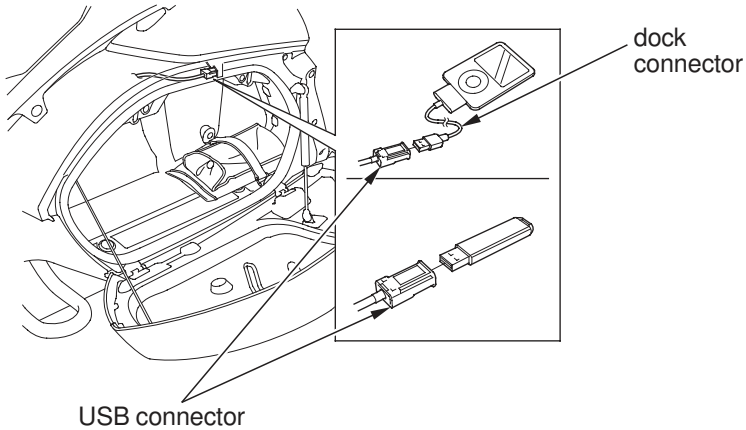


# iPod®/USB Flash Drive

## USB Cable



### To connect

1. Open the left saddlebag (page 45).
2. Unclip the USB connector.
3. Connect your iPod® with dock connector or the USB flash drive to the USB connector.

### To disconnect

You can disconnect the iPod®/USB flash drive at any time. Make sure to follow the iPod®'s instructions on how to disconnect the dock connector from the USB cable.

When you disconnect the iPod®/USB flash drive, the USB indicator will disappear.