

# Cargo Compartment

---

Your motorcycle comes with a front fairing pocket and a lockable shelter case and dual saddlebags.

Instructions on how to open, close, and lock these compartments follow.

## Saddlebags

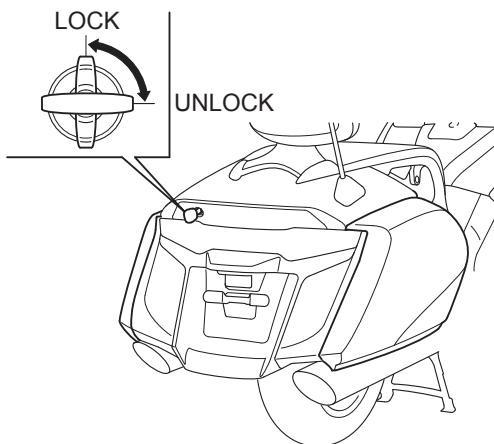
The saddlebags are for lightweight items.

Cargo in both saddlebags should not exceed:

**20.0 lb (9.0 kg) each**

However, regardless of compartment capacity, be sure you do not exceed the maximum load and cargo weight limits ([page 44](#)).

### To Lock & Unlock the Saddlebags



The saddlebags can be locked and unlocked with the ignition key.

To unlock:

Insert the ignition key and turn it clockwise.

The ignition key can not be removed in unlock position.

To lock:

Turn the ignition key counterclockwise and remove the ignition key.