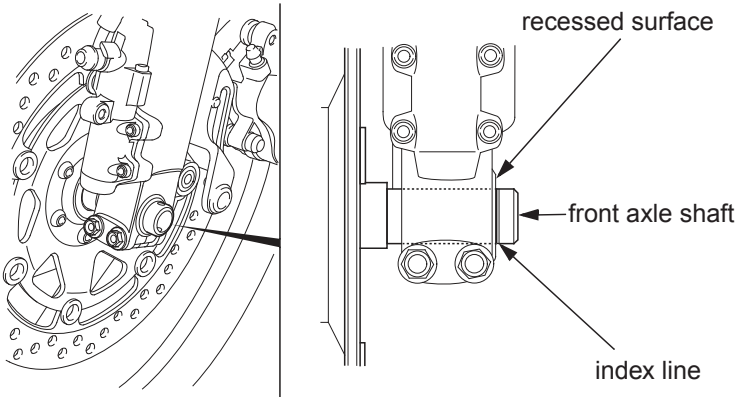


# If You Have a Flat Tire

## Installation

1. Install the side collars in the wheel and position it between the fork legs.  
Insert the front axle shaft from the left side, through the left fork leg and wheel hub.
2. Align the index line of the front axle shaft with the recessed surface of the fork leg.



3. Tighten the front axle pinch bolts on the left fork leg to the specified torque:  
16 lbf·ft (22 N·m, 2.2 kgf·m)
4. Tighten the front axle bolt to the specified torque:  
44 lbf·ft (59 N·m, 6.0 kgf·m)
5. Install the brake caliper assembly onto the fork leg.  
To avoid damaging the brake pads while installing the brake caliper assembly, carefully fit the brake disc between the pads.
6. Install the right caliper fixing bolts and left caliper socket bolt and tighten to the specified torque:  
23 lbf·ft (31 N·m, 3.2 kgf·m)

(cont'd)