

Shifting Gears *(Continued)*

Changing between Neutral and AT MODE/MT MODE

Changing from Neutral (N) to AT MODE (D)

Press the D side of the N-D switch (1).

The D (AT MODE) indicator comes on, "1" is shown in the gear position indicator and first gear is selected.

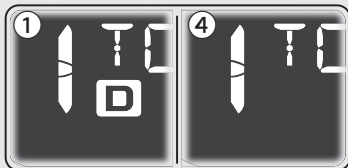
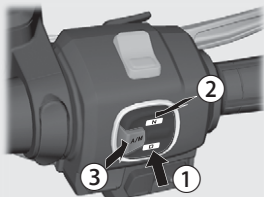
Changing from AT MODE or MT MODE to Neutral (N)

Press the N side of the N-D switch (2).

Changing between AT MODE and MT MODE

Press the A/M switch (3).

The D (AT MODE) indicator goes out while MT MODE is selected (4).



Riding in MT MODE

Shift up and down with the shift up switch (+) and shift down switch (-).

The selected gear is shown on the gear position indicator.

- ▶ If the MT MODE is selected, the transmission does not shift up automatically. Do not allow the engine revs to go into the red zone.
- ▶ The transmission automatically shifts down when you slow down, even in MT MODE.
- ▶ You will start from 1st gear even if MT MODE is selected.

Downshifting Blipping Control

In MT MODE, this system controls down shifting with the throttle completely closed by increasing engine revs automatically to match the gear ratio.

- ▶ This system may not increase engine revs in some running conditions.

Gear shift operation

Shifting Up:

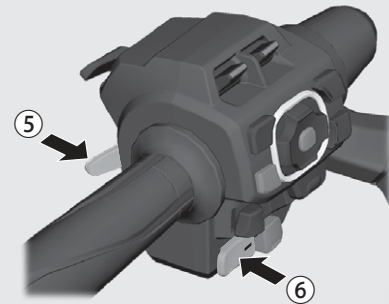
Press the shift up switch (+) (5).

Shifting Down:

Press the shift down switch (-) (6).

You cannot continue shifting gear by keeping the shift switch pressed.

To continue shifting gear release the switch and press it again.



Shift Limit

You cannot downshift if the engine will exceed the rev limit.