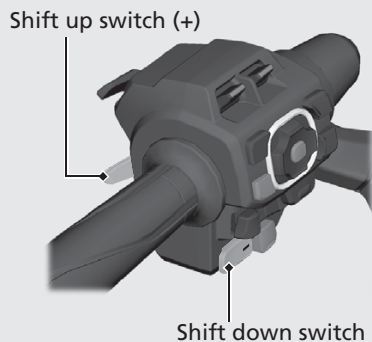


## Walking Speed Mode *(Continued)*

- 5** To move the motorcycle backward, press and hold the shift down switch (-), and then release the brakes. To move the motorcycle forward, press and hold the shift up switch (+), and then release the brakes.
- ▶ The motorcycle will move forward/backward as long as you hold the switch down.
  - ▶ When the shift up switch (+) (forward) is pressed, "F" is displayed on the gear position indicator. When the shift down switch (-) (backward) is pressed, "R" is displayed on the gear position indicator.
  - ▶ It may take a few seconds before the motorcycle starts to move.
  - ▶ When operating the motorcycle in Walking Speed mode, be sure to sit on the motorcycle in your normal riding position.
  - ▶ When the engine is stopped in Walking Speed mode, the clutch will disengage. This will cause the motorcycle to abruptly lose traction.

- ▶ While in Walking Speed mode, do not press the engine stop switch except in an emergency. This will cause the motorcycle to abruptly lose traction.



Guide the motorcycle cautiously, using your legs to maintain balance. Use extreme care to maintain balance while in Walking Speed mode on loose surfaces (sand, dirt, gravel) or slick pavement.

- 6** To stop the motorcycle, apply the brake lever or pedal.
- 7** To end Walking Speed mode, apply the brake lever or pedal. After the motorcycle has stopped, press the Walking Speed mode switch while operating the brake lever or pedal, or press the N side of the N-D switch. Make sure the Walking Speed mode indicator turns off and the **[N]** indicator comes on.