
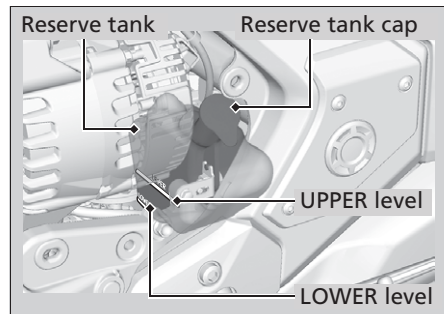


Checking the Coolant


Check the coolant level in the reserve tank while the engine is cold.

1. Place your motorcycle on a firm, level surface.
2. Remove the left engine side cover.  P. 155
3. Hold your motorcycle in an upright position.
4. Check that the coolant level is between the UPPER level and LOWER level marks in the reserve tank.




If the coolant level is dropping noticeably or the reserve tank is empty, you likely have a serious leak. Have your motorcycle inspected by your dealer.

Adding Coolant

If the coolant level is below the LOWER level mark, add the recommended coolant ( P. 149) until the level reaches the UPPER level mark.

Add fluid only from the reserve tank cap and do not remove radiator cap.

1. Remove the left engine side cover.  P. 155
2. Remove the reserve tank cap and add fluid while monitoring the coolant level.
 - ▶ Do not overfill above the UPPER level mark.
 - ▶ Make sure no foreign objects enter the reserve tank opening.
3. Securely reinstall the reserve tank cap.
4. Install the left engine side cover.

WARNING

Removing the radiator cap while the engine is hot can cause the coolant to spray out, potentially scalding you.

Always let the engine and radiator cool down before removing the radiator cap.

Changing Coolant

Have your dealer change the coolant unless you have the proper tools and are mechanically qualified.