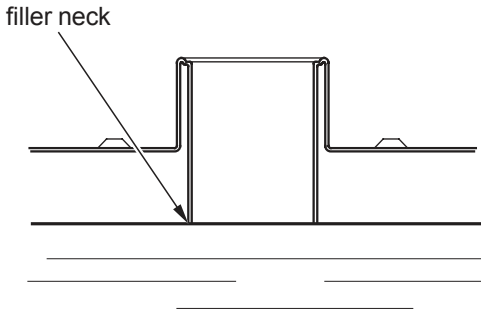


# Fuel

---



4. Add fuel until the level reaches the bottom of the filler neck.  
Avoid overfilling the tank. There should be no fuel in the filler neck.

## **⚠ WARNING**

Gasoline is highly flammable and explosive. You can be burned or seriously injured when handling fuel.

- Stop the engine and keep heat, sparks and flame away.
- Handle fuel only outdoors.
- Wipe up spills immediately.

5. After refueling, be sure to tighten the fuel fill cap firmly by turning it clockwise until it clicks.
6. Close the fuel fill compartment.
7. Remove the key from the fuel fill compartment.