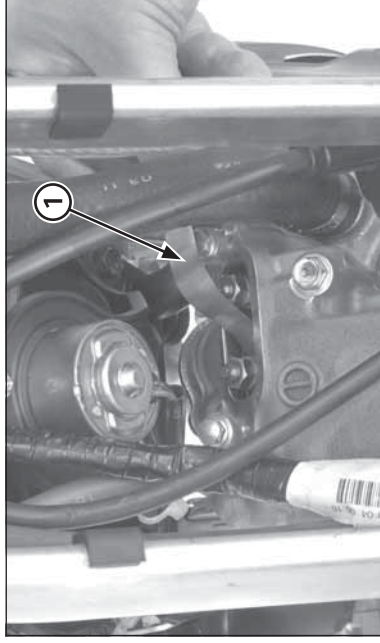


(1) "T" MARK
(2) INDEX MARK

Operate the kickstarter pedal and align the "T" mark on the flywheel with the index mark on the left crankcase cover.

Make sure the piston is at TDC (Top Dead Center) on the compression stroke by moving the rocker arms.



(1) FEELER GAUGE

Insert a feeler gauge between the rocker arm and valve stem and measure the intake and exhaust valve clearances.

Valve clearance:

Intake: 0.12 ± 0.03 mm (0.005 ± 0.001 in)

Exhaust: 0.30 ± 0.03 mm (0.012 ± 0.001 in)

Adjust by loosening the lock nut and turning the adjusting screw until there is a slight drag on a feeler gauge.

Tools:

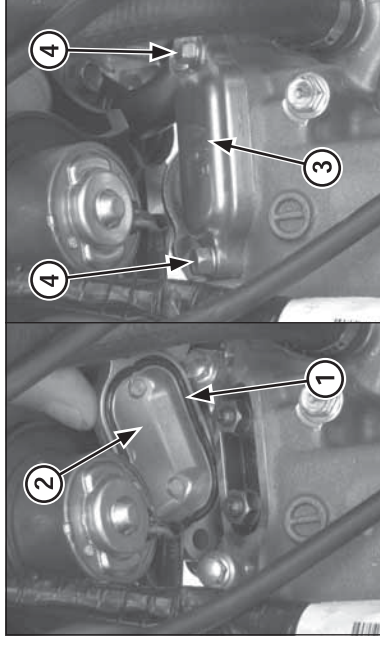
**Valve adjusting wrench, 10x12 mm
(equivalent commercially available)**

Valve adjuster B 07708-0030200
07708-0030400

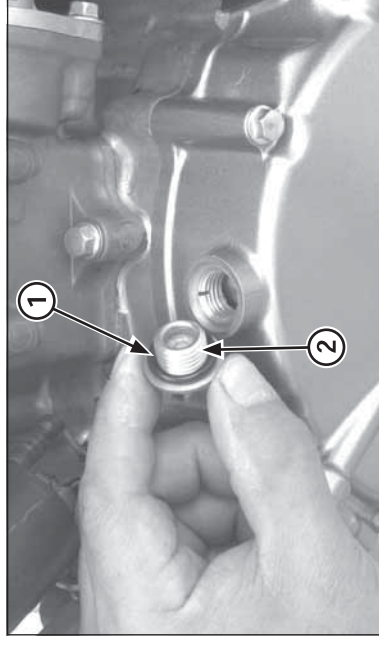
After adjustment, tighten the lock nut while holding the adjusting screw.

Recheck the valve clearance.

Torque: 14 N·m (1.4 kgf·m, 10.3 lbf·ft)



(1) O-RING
(2) VALVE ADJUSTING HOLE COVER
(3) "UP" MARK (4) BOLTS



(1) O-RING
(2) TIMING HOLE CAP

Check that the valve adjusting hole cover O-ring is in good condition, replace if necessary.

Coat the O-rings with clean engine oil and install them in the valve adjusting hole cover grooves.

Install the valve adjusting hole cover with their "UP" mark facing up and then install and tighten the bolts securely.

Check the timing hole cap O-ring is in good condition, replace if necessary.

Install and tighten the timing hole cap.