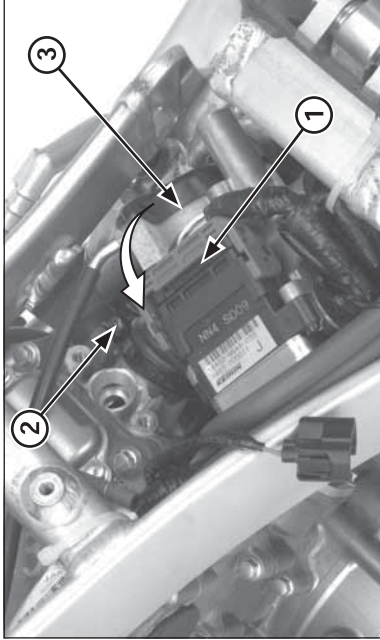
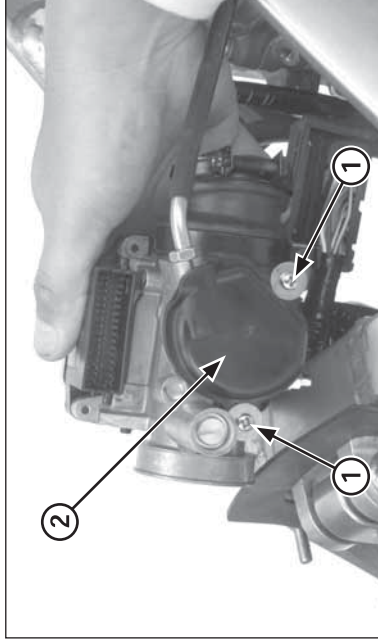


Engine servicing



(1) 32P (BLACK) CONNECTOR
(2) BAND SCREW
(3) THROTTLE BODY

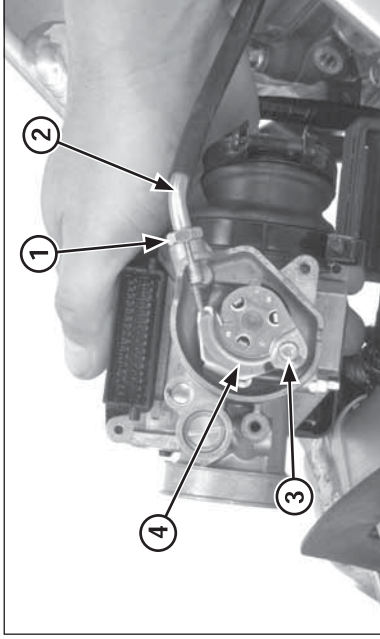


(1) SCREWS
(2) THROTTLE DRUM COVER

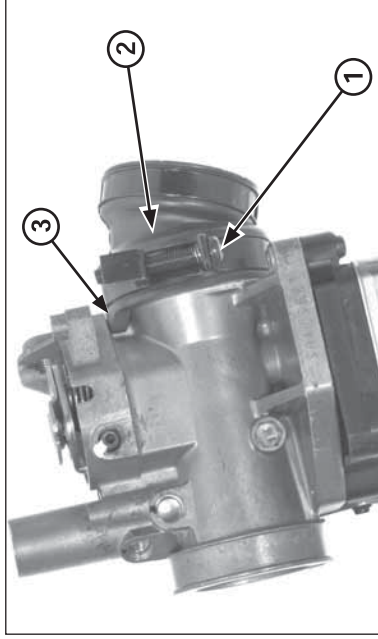
Disconnect the ECM 32P (Black) connector. Loosen the insulator band screw, then remove the throttle body.

Be careful to not pull connector from throttle body, pull up fixation handle.

Remove the screws and throttle drum cover.



(1) LOCK NUT (2) THROTTLE CABLE
(3) THROTTLE CABLE END (4) THROTTLE DRUM



(1) SCREW
(2) INSULATOR
(3) ALIGN

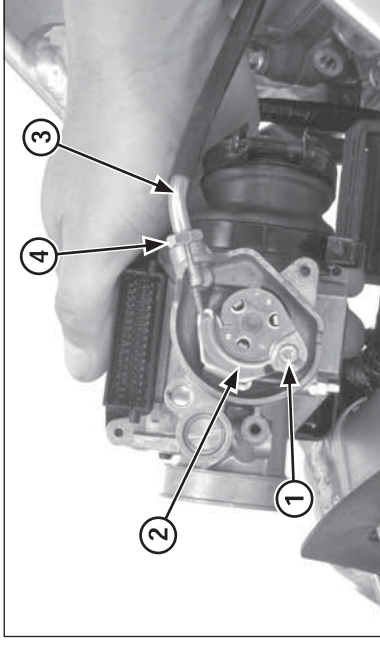
Loosen the lock nut, then disconnect the throttle cable from the throttle body.

Then disconnect the cable end from the throttle drum.

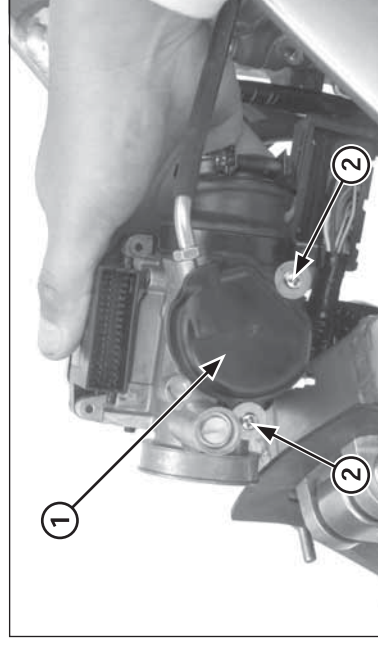
Loosen the insulator clamp screw, then remove the insulator from the throttle body.

Installation

Install the insulator onto the throttle body while aligning its slit with the lug on the throttle body as shown.



(1) THROTTLE CABLE END (2) THROTTLE DRUM
(3) THROTTLE CABLE (4) LOCK NUT



(1) THROTTLE DRUM COVER
(2) SCREWS

Connect the throttle cable end to the throttle drum. Install the throttle cable to the throttle body. Adjust the throttle grip free play.

Install the throttle drum cover and tighten the screws.