

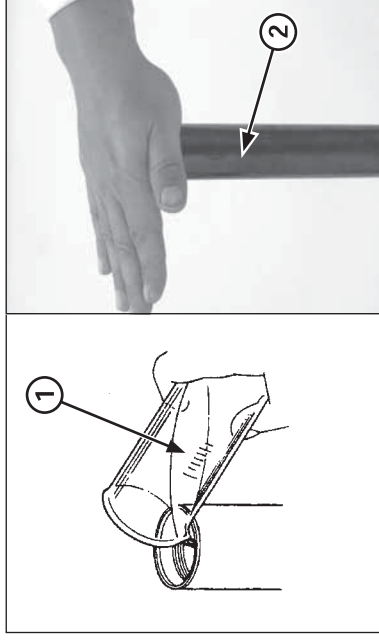
(1) FORK DAMPER
(2) RIGHT FORK CENTER BOLT

Hold the axle holder in a vise protected with a piece of woods or soft jaws to avoid damage.
Do not overtighten the vise.

Install the right fork center bolt with a new sealing washer.

Tighten the right fork center bolt to the specified torque.

Torque: 23.5-25.5 N•m (2.4-2.6 kgf•m)



(1) FORK FLUID
(2) FORK TUBE

Pour recommended fork fluid in the fork leg.

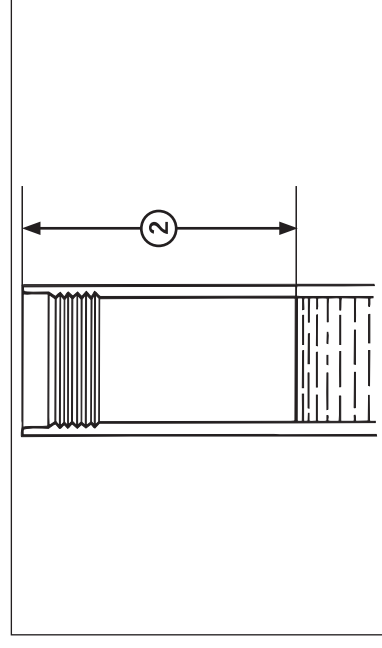
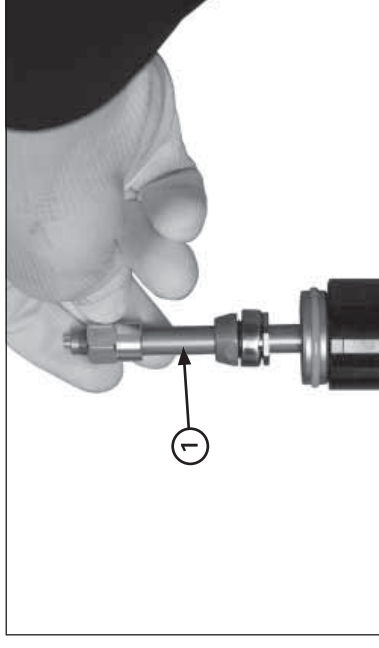
Specified fork fluid:
OJ Racing Special Fork Oil Type 01 (SAE 5W) or equivalent

Bleed the air as follows:

1. Extend the fork without bringing to its maximum extension. Cover the top of the fork tube with your hand and compress the fork slowly several times.

NOTICE

Totally extended fork may cause oil leakage.



(1) FORK DAMPER ROD
(2) OIL LEVEL

2. Pump the damper rod 8 - 10 times.

3. Make sure no air in fork damper by slowly pull the damper rod up. If the resistance is felt at the top end, pump the damper rod again.

Wait 2 - 3 minutes before measuring the oil level.
Measure the oil level from top of the fork tube, with the fork fully compressed.

Standard oil level: 70 mm (2.8 in)
260 cm³
Oil capacity (orientative): (9.2 US oz)
(8.8 Imp oz)