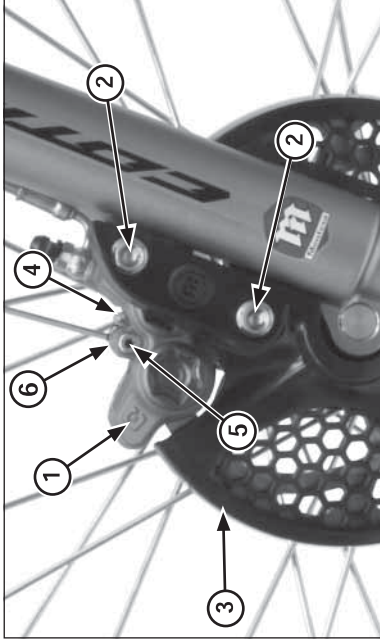


Frame servicing

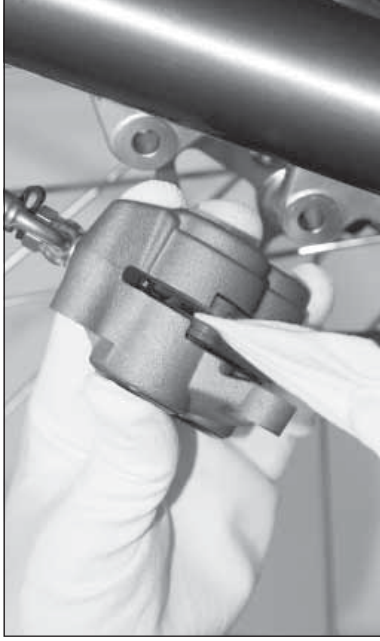


- (1) PAD SPRING PIN
- (2) BOLTS
- (3) DISC COVER
- (4) CALIPER

Front Brake Pad Replacement

Clean the brake disc with a high quality degreasing agent if they are contaminated with oil or grease. Replace the pads if they are contaminated.

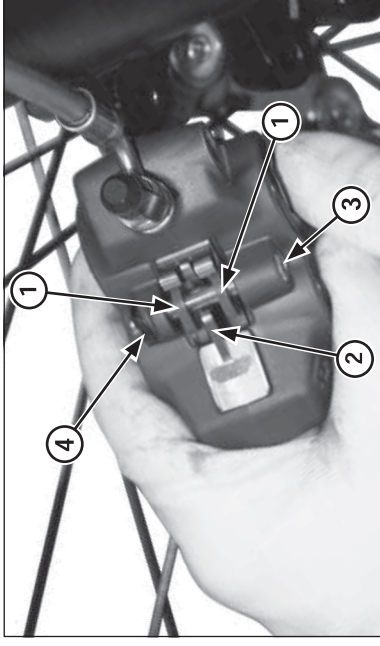
Remove the brake caliper mounting bolts, disc cover, flange collars and caliper.
Remove the circlip.
Remove the pad pin.
Remove the spring from the pads.



Push the pistons all the way in to allow installation of new brake pads.
Check the brake fluid level in the reservoir as this operation causes the level to rise.

Remove the brake pads.

Clean the brake caliper inside especially around the caliper pistons.



- (1) NEW PADS
- (2) PAD SPRING
- (3) PIN
- (4) CIRCLIP

Install the new pads, the spring from the pads and secure with the pad pin and the circlip.

Torque: 8 N•m (0.8 kgf•m, 5.9 lbf•ft)

Install the caliper to the fork so the disc is positioned between the pads, being careful not to damage the pads. Apply a locking agent to the caliper mounting bolt threads. Install the disc cover, then install and tighten the mounting bolts.

Torque: 26 N•m (2.7 kgf•m, 20 lbf•ft)

Operate the brake lever to seat the caliper pistons against the pads.