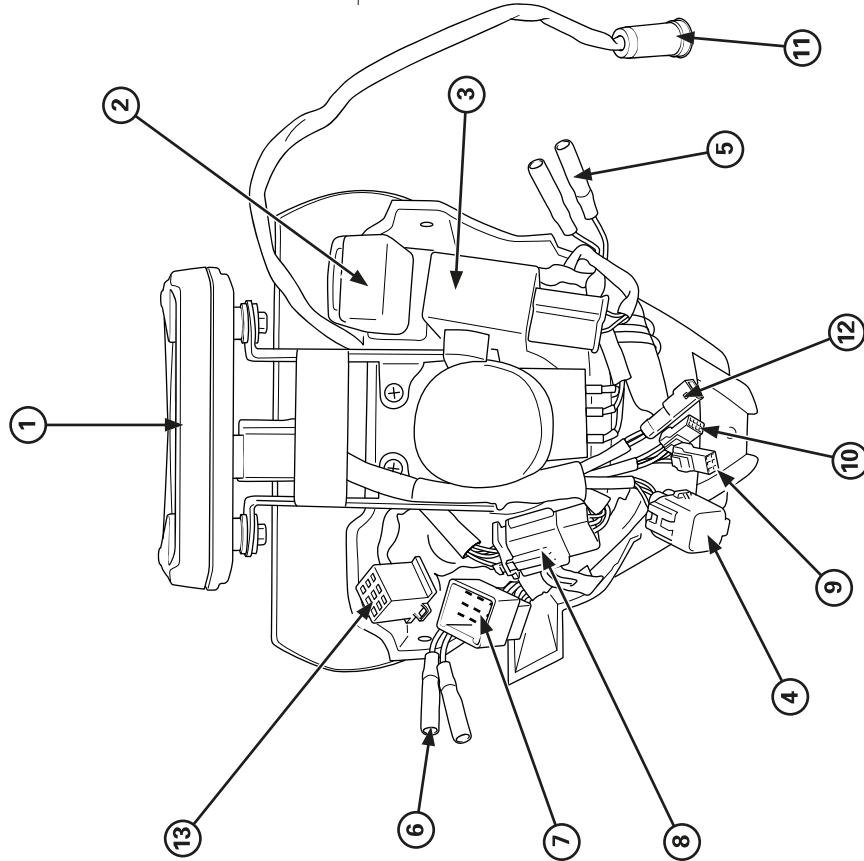
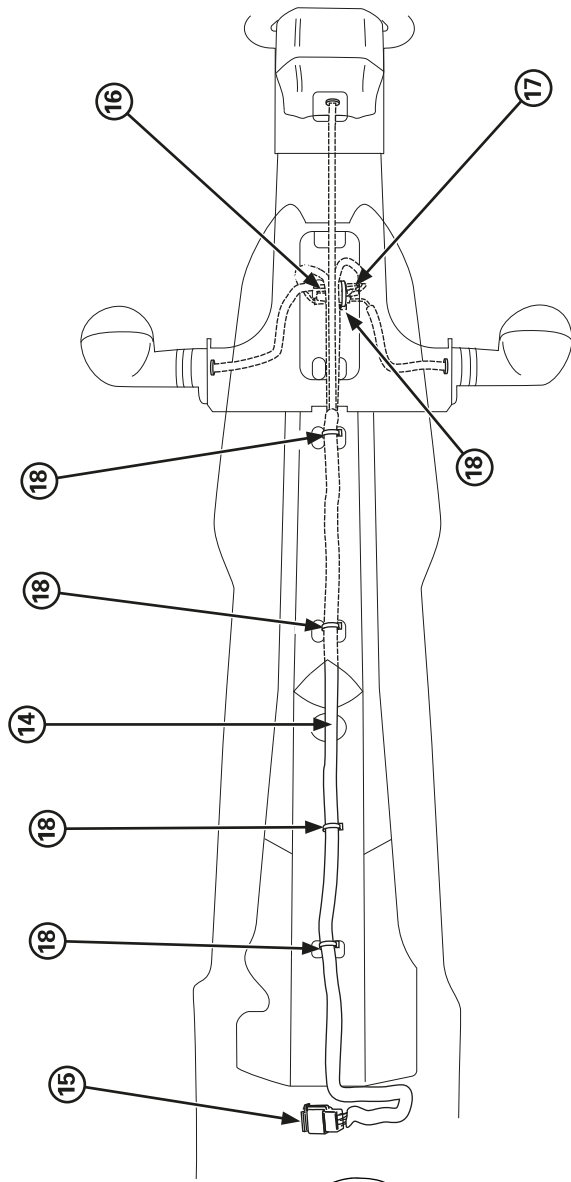


Cable & Harness Routing (2ED)



- (1) SPEEDOMETER
- (2) POWER RELAY
- (3) WINKER RELAY
- (4) 4P CONNECTOR OBD
- (5) RIGHT FRONT TURN SIGNAL CONNECTORS
- (6) LEFT FRONT TURN SIGNAL CONNECTORS
- (7) 9P CONNECTOR SUB-INSTALLATION
- (8) 6P CONNECTOR SPEEDOMETER
- (9) 3P CONNECTOR SPEED SENSOR
- (10) 4P CONNECTOR MIL
- (11) FRONT STOP SWITCH CONNECTOR
- (12) 2P CONNECTOR (INACTIVE)
- (13) 9P CONNECTOR LIGHTING SWITCH



- (14) INDICATOR LIGHT INSTALLATION
- (15) INDICATOR LIGHT INSTALLATION CONNECTOR
- (16) RIGHT REAR TURN SIGNAL CONNECTORS
- (17) LEFT REAR TURN SIGNAL CONNECTORS
- (18) CLAMPS