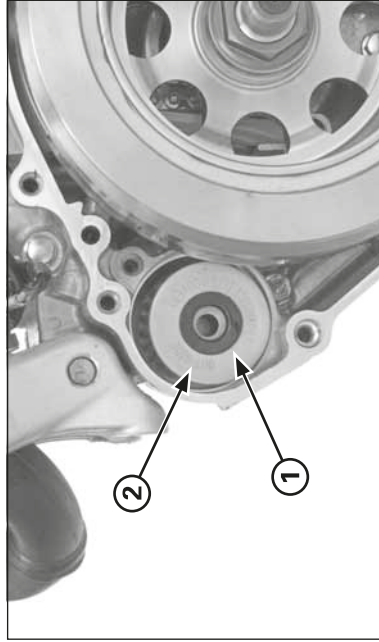


- (1) SPRING
- (2) OIL FILTER
- (3) APPLY GREASE

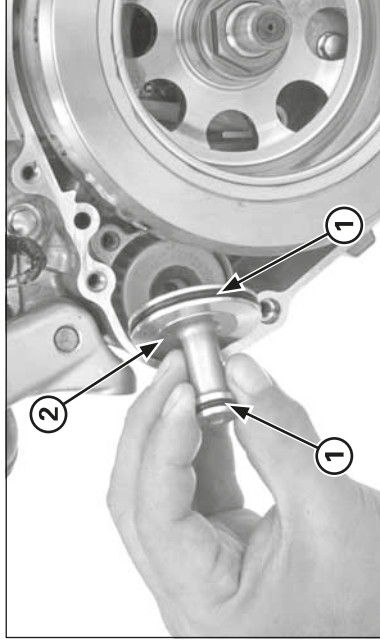


- (1) OIL FILTER
- (2) "OUT SIDE" MARK

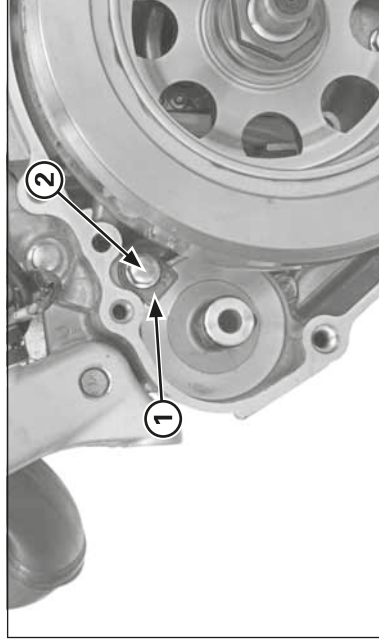
Apply grease to the oil filter spring end (filter side).
Install the spring into the new oil filter.

Install the new oil filter into the left crankcase with its "OUT SIDE" mark facing out.

Installing the oil filter backwards will result in severe engine damage.



- (1) NEW O-RINGS
- (2) OIL FILTER COVER

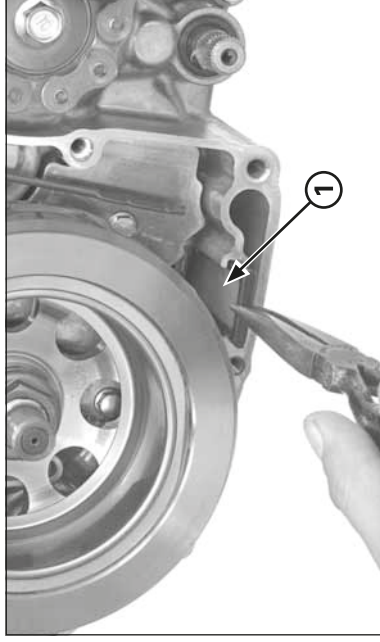


- (1) RETAINING PLATE
- (2) BOLT

Install new O-rings into the oil filter cover grooves.

Install the oil filter cover into the left crankcase while aligning the cover flange with the oil filter groove. Make sure that the oil filter cover seats properly in the crankcase.

Install the retaining plate and tighten the bolt securely.



- (1) OIL STRAINER SCREEN

Oil Strainer Screen Cleaning

Remove the oil strainer screen from the left crankcase groove.

Clean the strainer.

Reinstall the oil strainer screen.

Note the direction of the screen.

Install the left crankcase cover being careful not to damage the O-ring and oil seal.