

(1) HOLDER BOLTS
(2) UPPER HOLDER

Handlebar And Steering Head Bearings

Handlebar

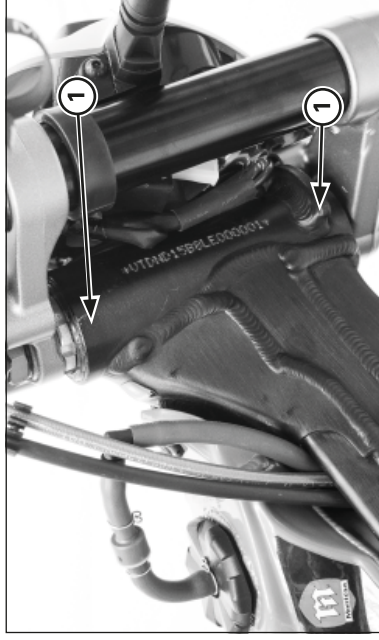
Check the handlebar for bends or cracks.

Check that the handlebar has not moved from its proper position.

Check that the handlebar holder bolts are tight.

If necessary, tighten the holder bolts. First tighten the forward bolts, then tighten the rear bolts to the specified torque.

Torque: 22 N•m (2.2 kgf•m, 16 lbf•ft)

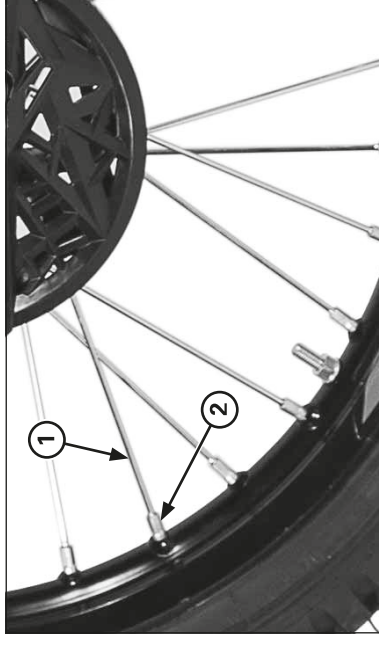


(1) STEERING HEAD BEARINGS

Steering Head Bearings

Support the motorcycle using the maintenance stand with its front wheel off the ground.

Turn the handlebar to the right and left to check for roughness in the steering head bearings. Stand in front of the motorcycle and grab the fork (at the axle), then push the fork in and out (toward the engine) to check for play in the steering head bearings. If any roughness or play is felt, adjust or replace the steering head bearings.



(1) SPOKE NIPPLE
(2) RIM LOCK

Wheels And Tires

Proper air pressure will provided maximum stability and tire life.

Check tire pressure frequently and adjust if necessary.

Tire air pressure should be checked when the tires are COLD.

Standard tyre air pressure FOR COMPETITION ONLY:

Front: 39 – 44 kPa (0.40 – 0.45 kgf/cm², 5.6 – 6.4 psi)

Rear: 29 – 34 kPa (0.30 – 0.35 kgf/cm², 4.3 – 5.0 psi)

Inspect the wheel for damage.

Check the wheel runout. If runout is noticeable, check the spokes are tight, or replace the wheel.

Check the axle for runout.

Check the condition of the front and rear wheel bearings.

Check the trueness of the wheel, spoke tension and the tightness of the rim lock nut.

Tool:

Spoke nipple wrench (front) 07701-0020300

Torque:

Spoke nipple:

Front: 2.45 - 4.9 N•m (0.24 - 0.49 kgf•m, 1.8-3.6 lbf•ft)

Rear: 2 - 3 N•m (0.2 - 0.3 kgf•m, 1.5-2.2 lbf•ft)

Rim lock nut: 13 N•m (1.3 kgf•m, 9 lbf•ft)