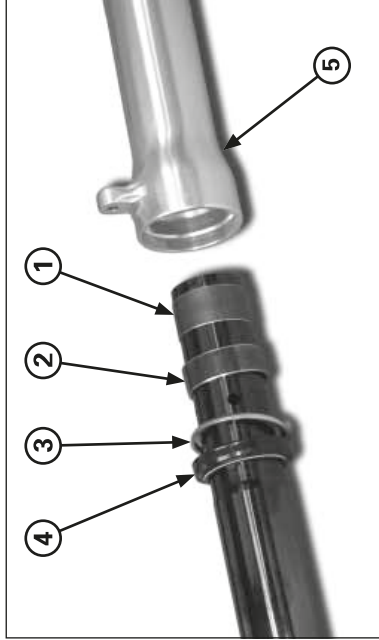


Frame servicing



- (1) FORK TUBE BUSHING
- (2) GUIDE BUSHING
- (3) BACK-UP RING
- (4) OIL SEAL
- (5) FORK SLIDER

Right Fork Assembly

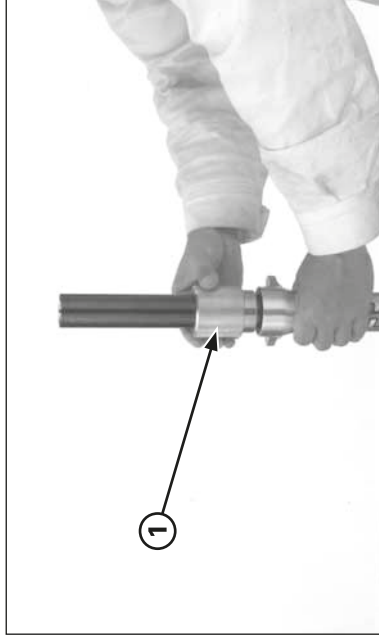
Clean the parts thoroughly with non-flammable or high flash point solvent before assembly.

Install the following to the fork tube:

- Fork tube bushing
- Guide bushing
- Back-up ring

Coat the guide and fork tube bushings with recommended fork fluid.

Install the fork tube assembly into the slider.



(1) FORK SEAL DRIVER

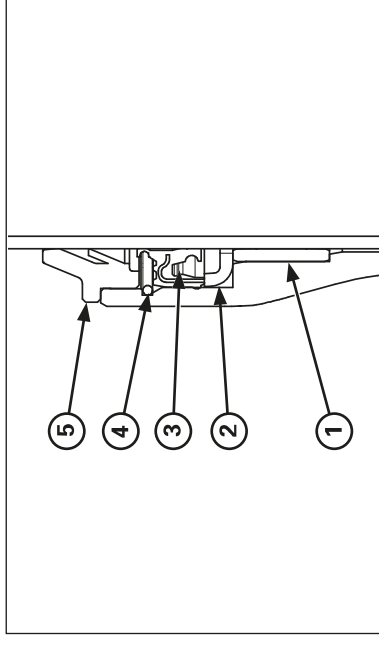
Using the special tool, drive the guide bushing and back-up ring until the stop ring groove is fully stuck in the fork slider base.

Install the oil seal (spring up) in the fork slider. Drive the oil seal using the special tool, performing a constant pressure until stops in back-up ring.

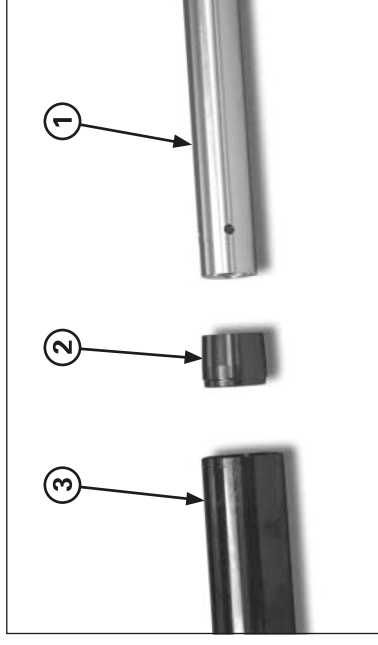
Tool:

Fork seal driver

07947-4630100



- (1) GUIDE BUSHING
- (2) BUCK-UP RING
- (3) OIL SEAL
- (4) STOP RING
- (5) DUST SEAL



- (1) FORK DAMPER
- (2) CENTERING PLATE
- (3) FORK TUBE

Install the stop ring into the slider groove securely.
Install the dust seal.

Install the centering plate and fork damper into the fork tube.