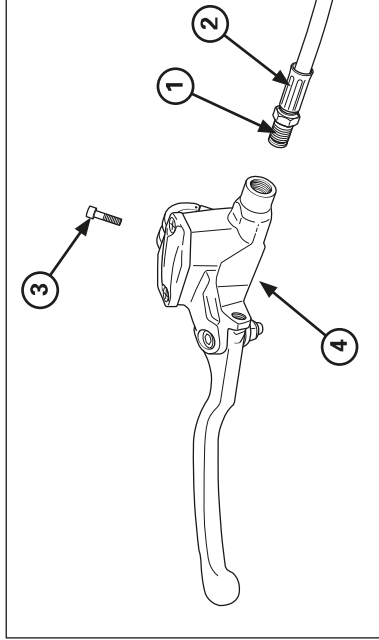


## Frame servicing



- (1) OIL BOLT
- (2) BRAKE HOSE
- (3) BOLT
- (4) HOLDER
- (5) MASTER CYLINDER

### Front master cylinder

#### Removal/Installation

## NOTICE

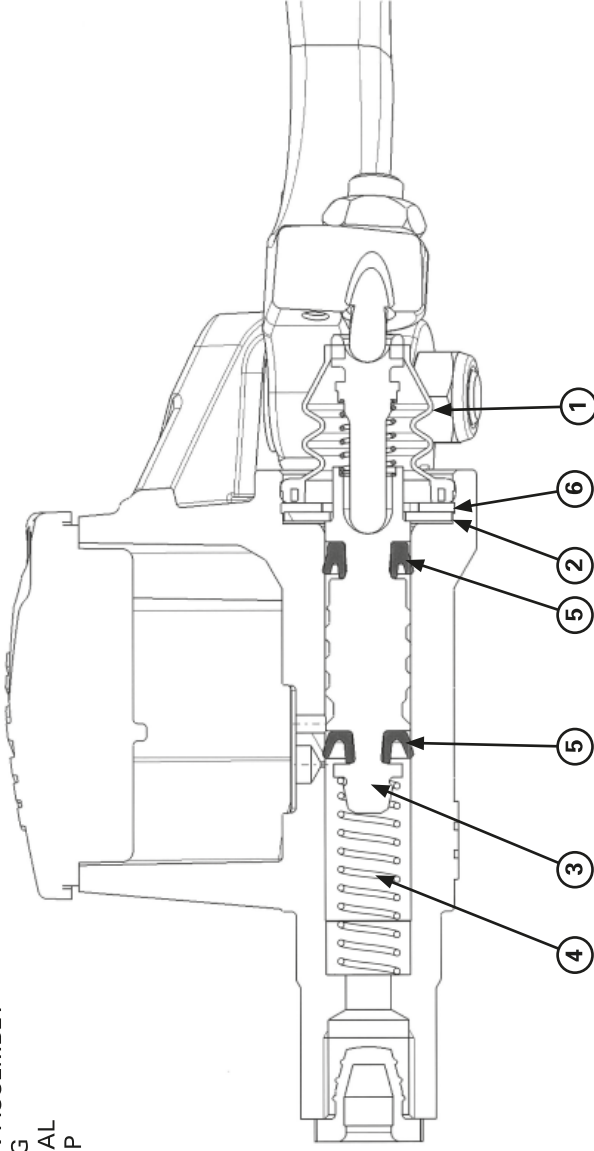
- Avoid spilling brake fluid on painted, plastic or rubber parts. Place a shop rag over these parts whenever the system is serviced.
- When removing the brake hose bolt, cover the end of the hoses to prevent contamination. Secure the hoses to prevent fluid from leaking out.

Drain the brake fluid from the hydraulic system into a suitable container.

Remove the following:

- Brake lever
- Brake hose bolt
- Master cylinder holder bolt and holder
- Master cylinder

- (1) BOOT
- (2) SNAP RING
- (3) PISTON ASSEMBLY
- (4) SPRING
- (5) OIL SEAL
- (6) CIRCLIP



#### Disassembly/Assembly

## NOTICE

- Keep the master cylinder piston, oil seals, spring and snap ring as a set; don't substitute individual parts.
- When installing the oil seals, do not allow the lips to turn inside out and be certain the snap ring is firmly seating in the groove.

Remove the snap ring and disassemble the master cylinder.

#### Inspection

Check the following items (page 2-4):

- Master cylinder and piston for scoring, scratches or other damage
- Master piston O.D. and master cylinder I.D.

#### Installation

Installation is in the reverse order of removal.

Torque:

**Brake hose oil bolt:**

**14 N•m (1.4 kgf•m, 10.3 lbf•ft)**

**Master cylinder holder bolt:**

**5.5 N•m (0.5 kgf•m, 4.1 lbf•ft)**

Bleed the air in the front brake system.