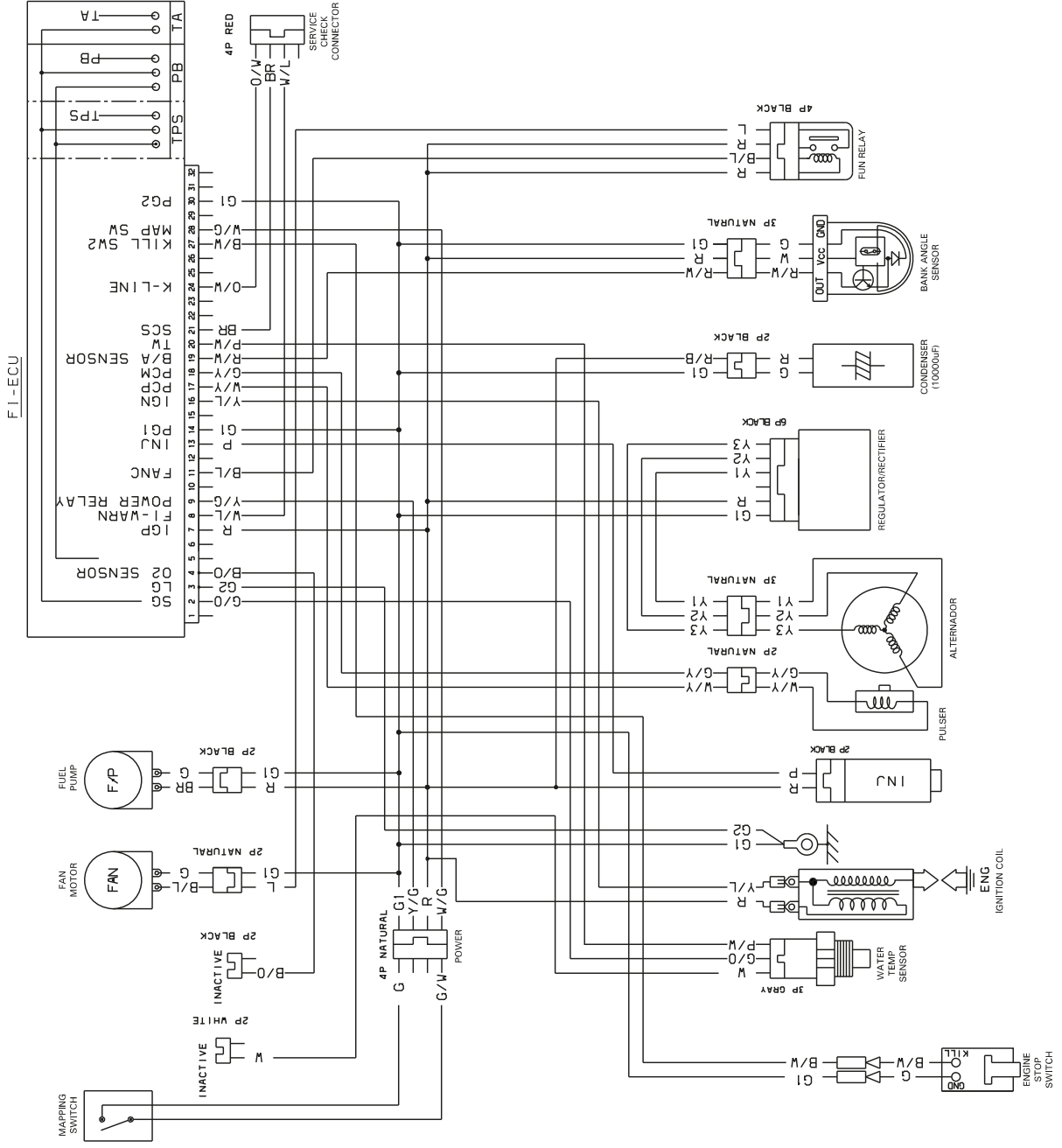


Wiring diagram (4ED)



- B BLACK
- Y YELLOW
- L BLUE
- G GREEN
- R RED
- W WHITE
- V VIOLET
- BR BROWN
- O ORANGE
- SB LIGHT BLUE
- LG LIGHT GREEN
- P PINK
- GR GREY