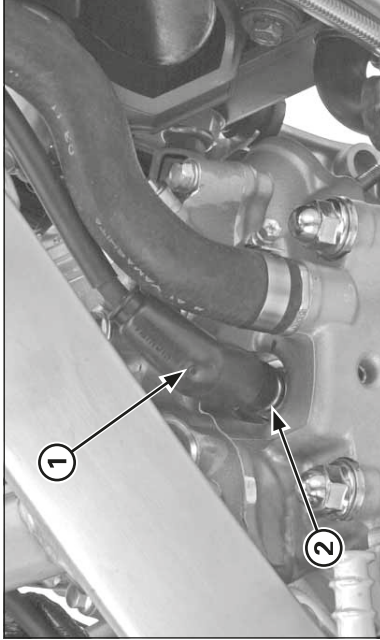


Service and maintenance



(1) SPARK PLUG CAP
(2) SPARK PLUG

Spark Plug

Using a spark plug with the wrong heat range can damage the engine or cause the plugs to foul. Be careful to select the correct spark plug for the conditions.

Standard plug: NGK: CR6EH-9

Plug Gap

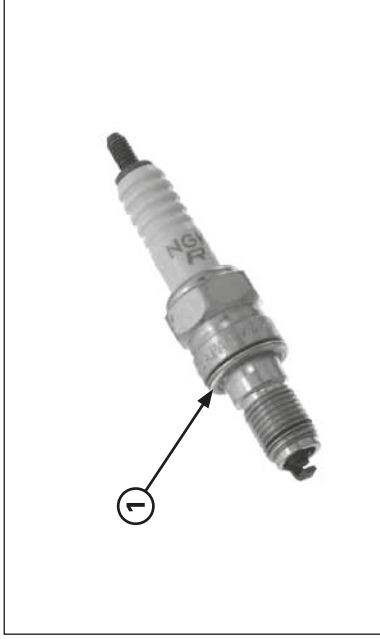
Remove the spark plug and measure the spark plug gap.

Standard: 0.8 – 0.9 mm (0.031 – 0.035 in)

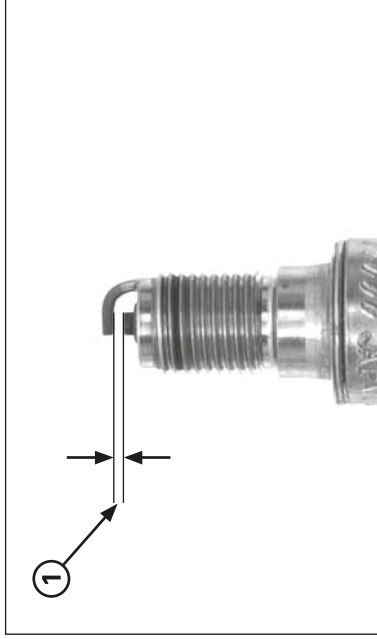
Replace the spark plug if the spark plug gap is out of specification.

Install and tighten the spark plug.

Torque: 16 N·m (1.6 kgf·m, 12 lbf·ft)



(1) INSULATOR



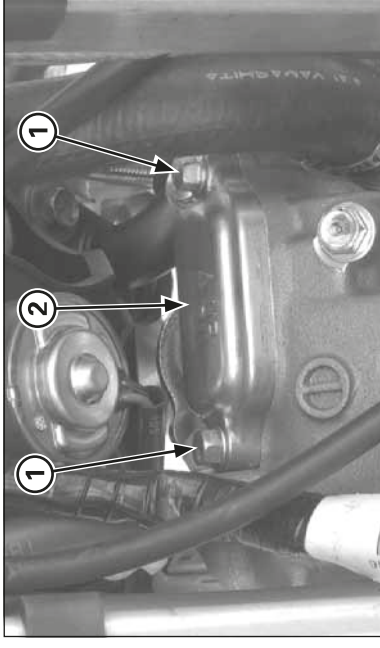
(1) SPARK PLUG GAP

Flash Over

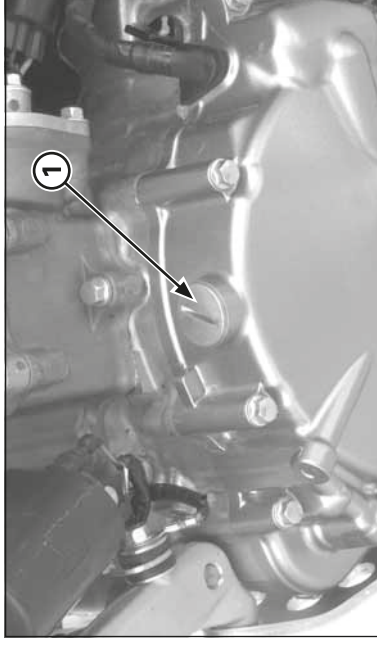
If engine misfire occurs due to arcing, replace both the spark plug and the cap.

Spark Plug Cap

Remove the spark plug cap from the spark plug. Clean the inside of the plug cap with electrical contact cleaner to prevent misfire.



(1) BOLTS
(2) TAPPET ADJUSTING HOLE COVER



(1) TIMING HOLE CAP/O-RING

Valve Clearance

Inspection

Inspect and adjust the valve clearance while the engine is cold (below 35 °C/95 °F).

Remove the fuel tank/injector assembly.

Remove the bolts and tappet adjusting hole covers from the cylinder head cover.

Remove the timing hole cap and O-ring.