

Inspecting the brake pads

Check the brake pads for wear.

The pads must be replaced if one of the pads is worn.

A pad is considered to be worn if it has a minimum thickness of 0.5 mm on the front brake and 1.0 mm on the rear brake.

1. Front

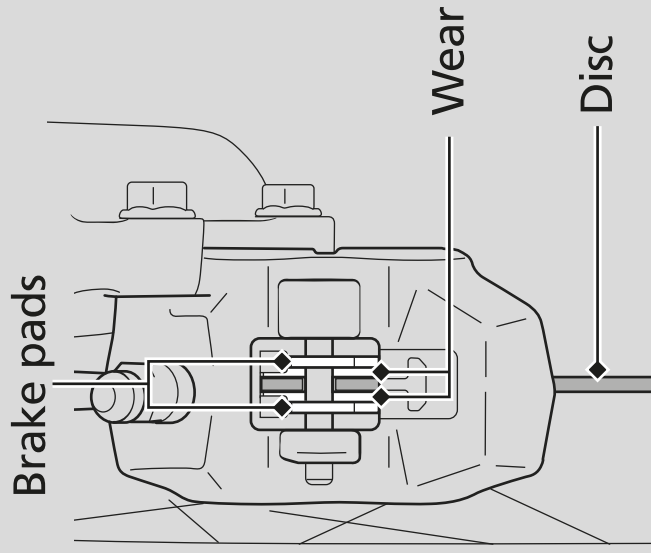
Inspect the brake pads from the top of the brake caliper.

2. Rear

Inspect the brake pads from the rear right side of the motorcycle.

If necessary, have your dealer replace the brake pads. Always replace the left and right brake pads at the same time.

Front



Rear

