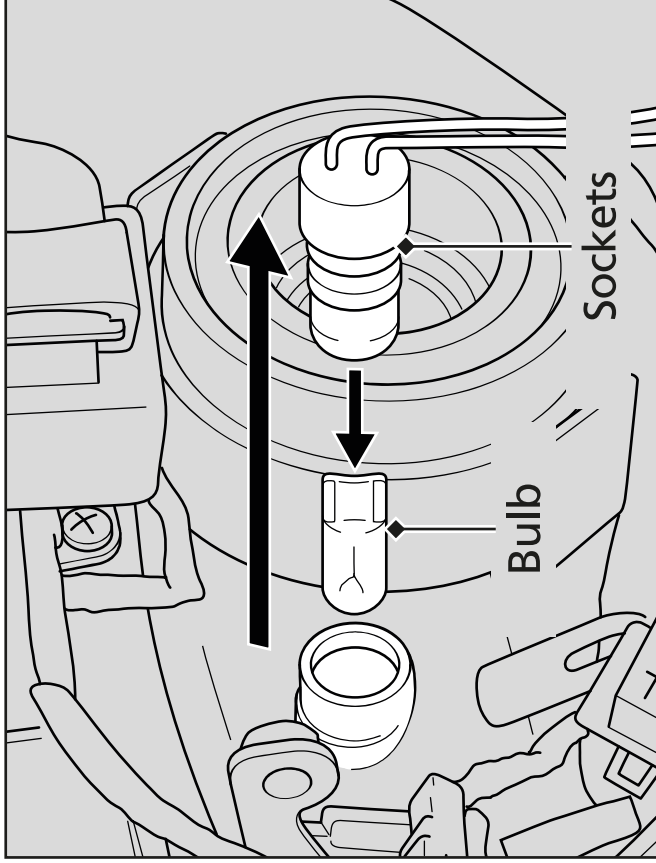


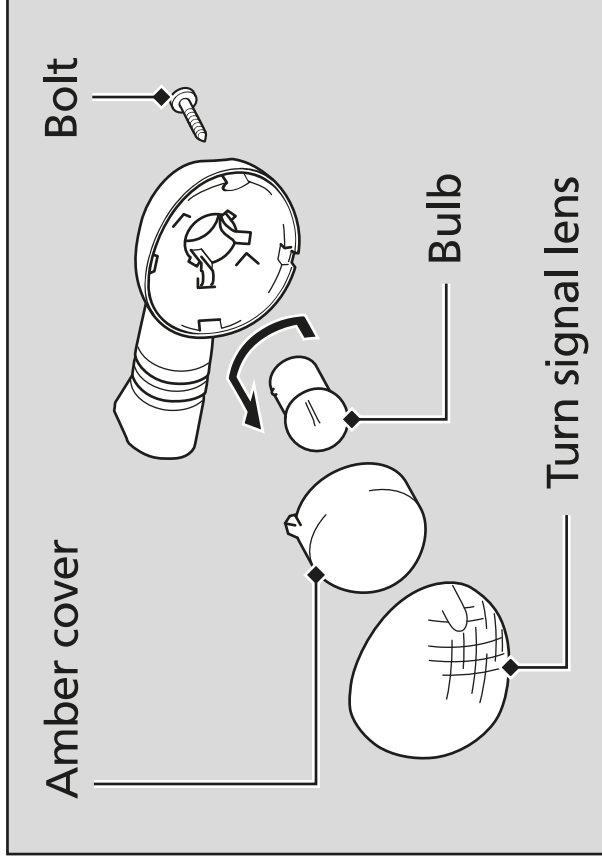
**Position light bulb**

1. Remove the socket without turning.
2. Pull out the bulb without turning.
3. Install a new bulb and the socket in the reverse order of removal.



**Front / rear turn signal bulb**

1. Remove the bolt.
2. Remove the turn signal lens.
3. Remove the amber cover.
4. Slightly press the bulb and turn it counterclockwise.



5. Install a new bulb and the rest of the parts in the reverse order of removal.