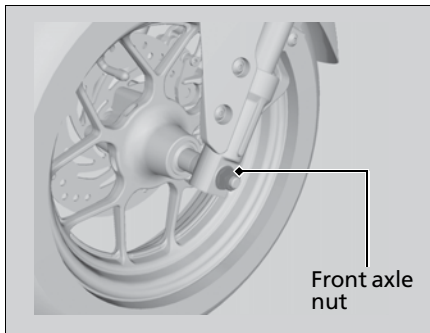


## Front Wheel

### Removal

1. Park on a firm, level surface.
2. Remove the front axle nut.



3. Support your motorcycle securely and raise the front wheel off the ground using a maintenance stand or a hoist.
4. Remove the front axle shaft, front wheel and side collars.
  - Avoid getting grease, oil, or dirt on the disc or pad surfaces.
  - Do not pull the brake lever while the front wheel is removed.

