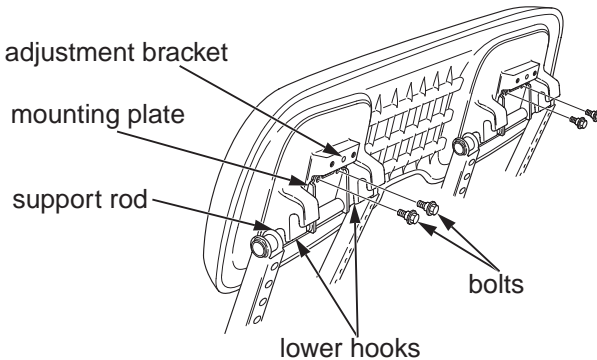


## Adjustable Seat-Back

The seat-back can be adjusted.

To adjust the seat-back to a forward position:

1. Lift the front of the cargo bed (page 46) to gain access to the seat-back.
2. Using a 10 mm wrench, remove the bolts that secure the adjustment bracket on the back of the seat-back to the mounting plate.



(cont'd)