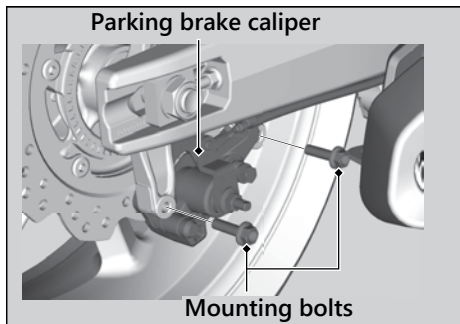


6. Release the parking brake.
7. Remove the mounting bolts and remove the parking brake caliper.



8. Loosen the rear axle nut, lock nuts and turn the adjusting bolts so the rear wheel can be moved all the way forward for maximum drive chain slack.
9. Remove the drive chain from the driven sprocket by pushing the rear wheel forward.
10. Remove the rear axle nut and washer.
11. Remove the rear axle shaft, brake caliper bracket, rear wheel and side collars.
 - Support the brake caliper assembly so that it doesn't hang from the brake hose. Do not twist the brake hose.
 - Avoid getting grease, oil, or dirt on the disc to pad surfaces.
 - Do not push the brake pedal while the wheel is removed.
 - Do not pull the parking brake lever while the wheel is removed.