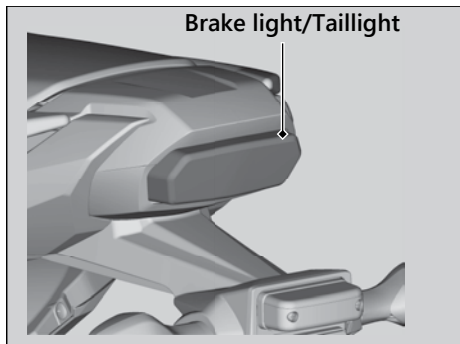


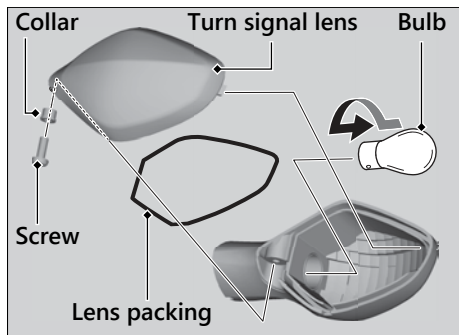
Brake Light/Taillight



The brake light and taillight uses several LEDs. If there is a LED which is not turned on, see your dealer for servicing.

Front/Rear Turn Signal Bulb

1. Remove the screw and collar.
2. Remove the turn signal lens and lens packing.
3. Slightly press the bulb and turn it counterclockwise.



4. Install a new bulb and parts in the reverse order of removal.