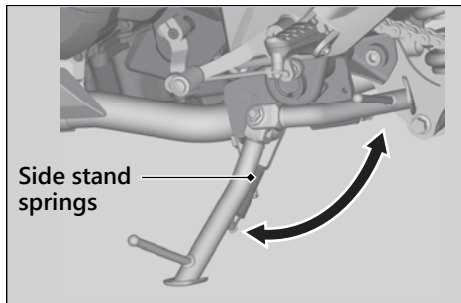


Checking the Side Stand



1. Check that the side stand operates smoothly. If the side stand is stiff or squeaky, clean the pivot area and lubricate the pivot bolt with clean grease.
2. Check the springs for damage or loss of tension.

3. **NC750X/XA**
4. Sit on the motorcycle, shift the transmission to Neutral, and raise the side stand.

NC750XD

Sit on the motorcycle and raise the side stand.

5. **NC750X/XA**

Start the engine, pull the clutch lever in, and shift the transmission into gear.

NC750XD

Start the engine and press the **D-S** side of N-D switch to switch the transmission into D mode.

6. Lower the side stand all the way. The engine should stop as you lower the side stand. If the engine doesn't stop, have your motorcycle inspected by your dealer.