

# Refueling

**Fuel type:** Unleaded gasoline only

**Recommended fuel octane number:**

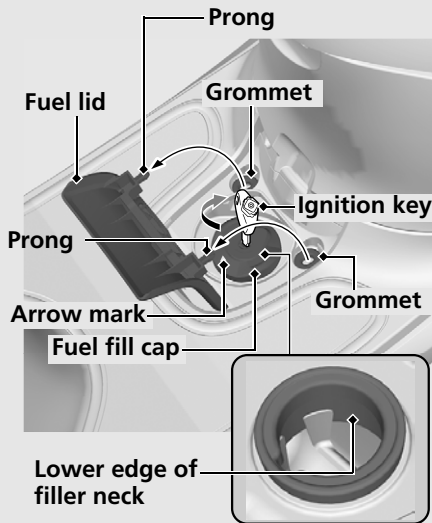
Pump Octane Number (PON) 86 or higher.

**Tank capacity:** 1.19 US gal (4.5 liters)

**Refueling and Fuel Guidelines** ➔ P.12

## Opening the Fuel Fill Cap

- 1 Open the fuel lid, then remove the prongs from the grommets.
- 2 Insert the ignition key, and turn it clockwise to open the fuel fill cap.



Do not fill with fuel above the lower edge of the filler neck.