
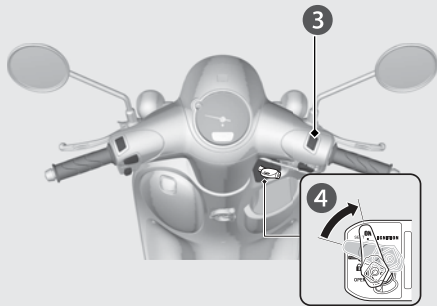


## Starting the Engine (Continued)

- 1 Place the scooter on its center stand.
- 2 Lock the rear brake. **→ P.30**
  - ▶ The starter motor will only work when the brake lever is pulled in.
- 3 Make sure the engine stop switch is in the  (Run) position.
- 4 Turn the ignition switch to the ON position.



## To Start the Engine with Electric Starter

- 5 Press the start button with the throttle completely closed. Release the start button as soon as the engine starts.

