

Rear Mudguard Lid Removal

Refer to *Safety Precautions* on page 111.

The rear mudguard lid must be removed to add the engine oil, and to access the emergency valve and emergency lever.

Removal

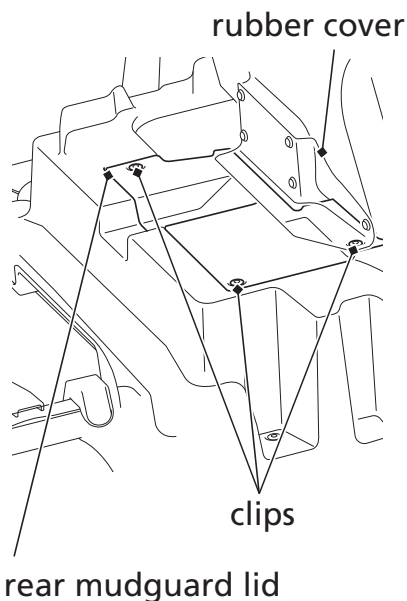
1. Lift the cargo bed (page 69).
2. Remove the clips (page 130).

Installation

1. Install the clips and return the rubber cover to its original position.
2. Lower the cargo bed.

UNDER CARGO BED

(SXS1000M3/M3P)



(SXS1000M5P/M5D)

