

Engine Oil & Filters

Install a New Engine Oil Filter:

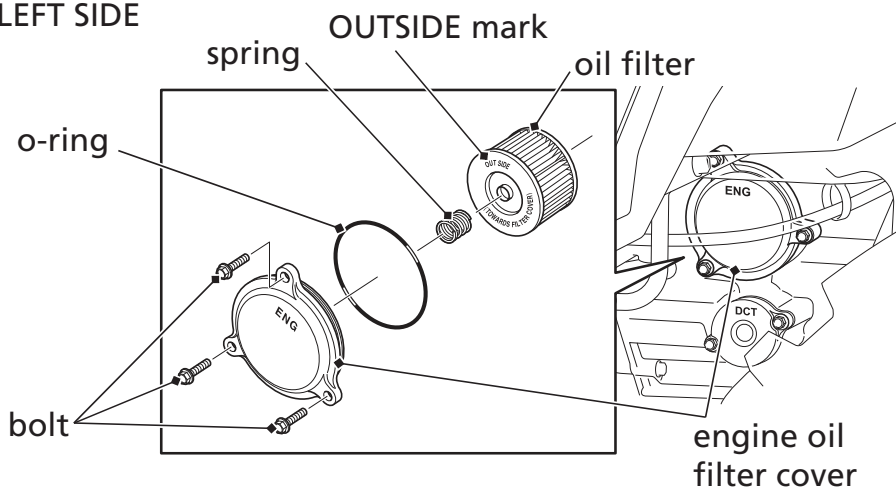
Place shop towels under the oil filter cover because oil will flow out.

7. Remove the engine oil filter cover (ENG marked) and O-ring by removing the bolts. Let the remaining oil drain out. Discard the oil filter in an approved manner (page 215).
8. Apply engine oil to a new O-ring and install it to the engine oil filter cover. Install a new oil filter.
Use only the Honda Genuine oil filter or a filter of equivalent quality specified for your model. Using the wrong Honda filter, inserting a filter in backwards, using a filter with no OUTSIDE markings, or a non-Honda filter which is not of equivalent quality may cause engine damage.
9. Install a new filter with the OUTSIDE mark facing outward, reinstall the spring and engine oil filter cover making sure the bolts are tightened to the specified torques:
9 lb·ft (12 N·m , 1.2 kg·m)

NOTICE

Improper installation of the oil filter can cause serious engine damage.

LEFT SIDE



(cont'd)