

# Sub-Transmission Oil

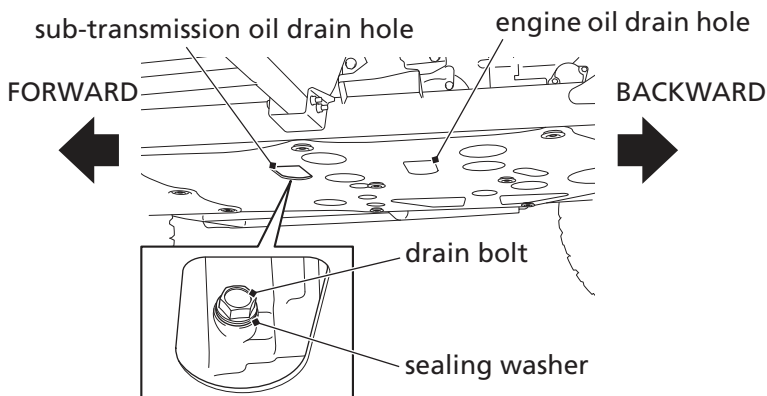
## Changing Sub-Transmission Oil

Refer to *Safety Precautions* on page 123.

This procedure requires mechanical skill and professional tools such as a torque wrench, and access from underneath the vehicle, as well as the means for disposing of the drained fluid (page 231). If you do not have the skills or the tools, see your dealer.

1. Make sure the Honda SXS is parked on a firm, level surface. Shift the shift select lever into the park (P) position, and jack up and support your Honda SXS (page 144).
2. Remove the front seat (page 139) and then remove the oil fill cap/dipstick.
3. Place an oil drain pan under the sub-transmission case.
4. Remove the sub-transmission oil drain bolt and sealing washer.

### UNDER BODY



(cont'd)